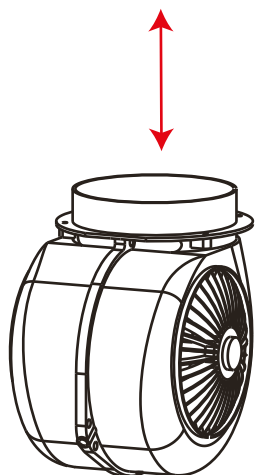


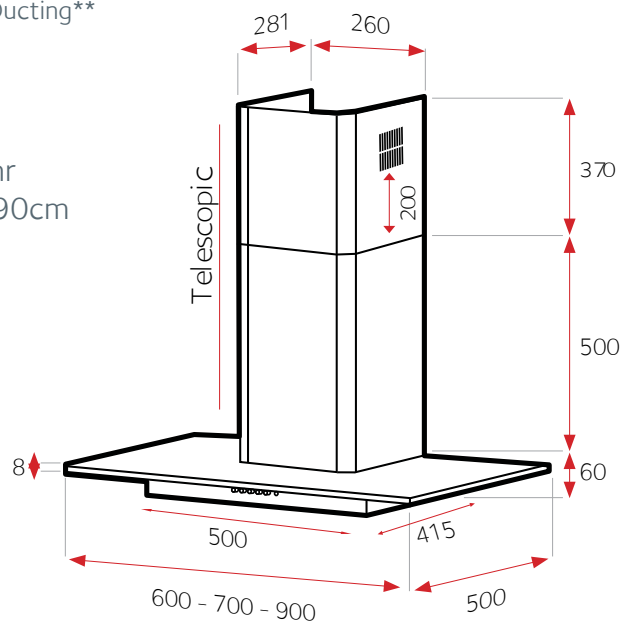


Reducer Collar reduces the motor exhaust from 150mm to 125mm if required (Already supplied in box)

Please note this hood must be installed on a minimum of 125mm Ducting

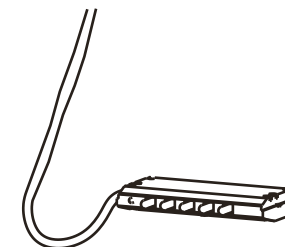


Spare Motor 680 m³/hr
- Fits Models 60cm - 90cm



Replacement Switch 2

Please note on models pre 2012, switch unit is hard wired to the motor. All current models have a plug fitted to both the switch and motor

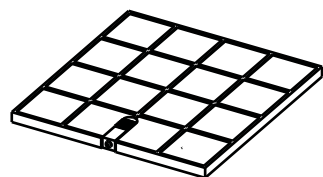


LED Driver - 1



-2x LED Fittings 1.3w 4000 Kelvin 60cm - 90cm

Please note we have 2 different fittings, Polished and Stainless Steel



1x Charcoal Filter Square 2

Please note this filter fits directly under the motor. A screw fixing is located behind the metal grease filters

Mesh Grills (current Models)

- LA-60-ST-GL-UK x1 400x317
- LA-70-ST-GL-UK x1 400x317
- LA-90-ST-GL-UK x1 400x317

Please note you must measure your mesh grill size. Older models will have different sizes to current models

