



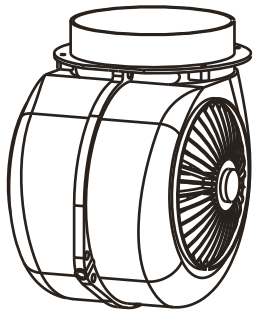
**LUXAIR**<sup>TM</sup>  
EXTRACTION WITH ATTRACTION

# LA-VENOSA-Island

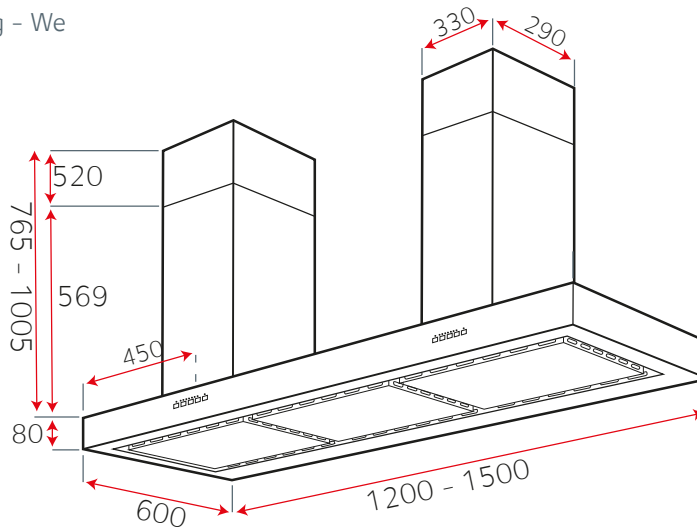


Reducer Collar reduces the motor exhaust from 150mm to 125mm if required (Already supplied in box)

\*\*Please note this hood must be installed on a minimum of 125mm Ducting - We highly recommend 150mm\*\*

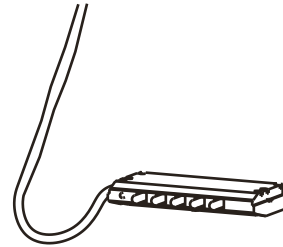


Spare Motor 1000 m<sup>3</sup>/hr  
- 'A' Rated Energy Efficient  
- Fits Models 90cm

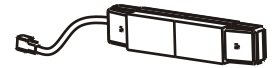


Replacement Switch  
- Electronic Touch Control

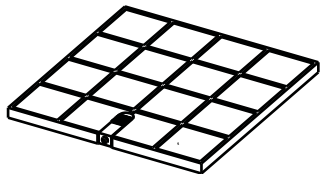
\*\*Please contact Luxair for further information\*\*



LED Driver  
\*\*Please contact Luxair for more information\*\*



8 - 10 x 3w LED Down Light



2x Charcoal Filter Square 9

\*\*Please note this filter fits directly under the motor. A screw fixing is located behind the metal grease filters\*\*

Mesh Grills (current Models)

LA-Venosa-ISL - 120cm x4 406x234  
LA-Venosa-ISL - 150cm x6 404x200

\*\*Please note you must measure your mesh grill size. Older models will have different sizes to current models\*\*  
tt

