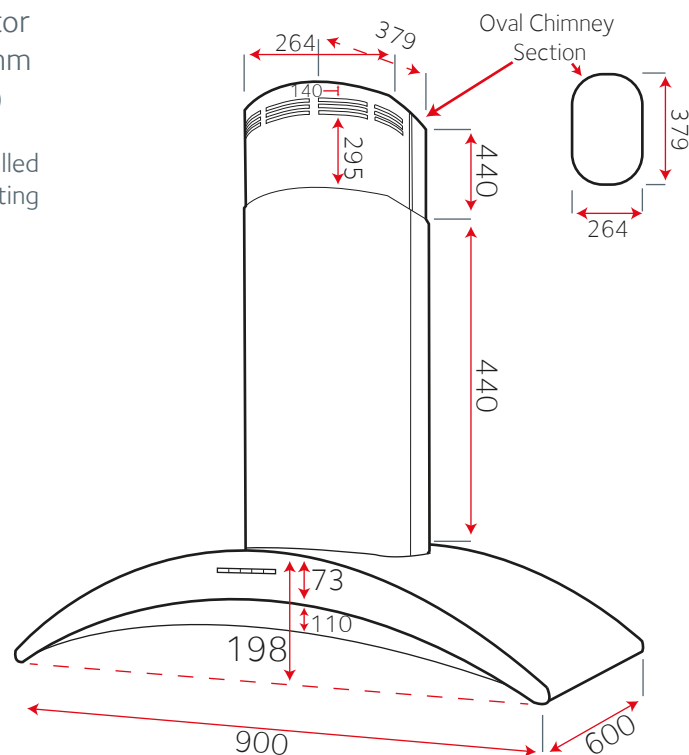


Reducer Collar reduces the motor exhaust from 150mm to 125mm if required (Already supplied in box)

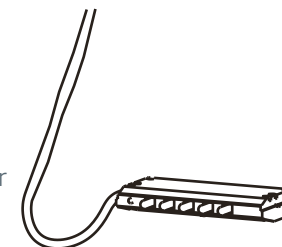
\*\*Please note this hood must be installed on a minimum of 125mm Round Ducting or Rectangular Equivalent\*\*

Spare Motor 950 m<sup>3</sup>/hr  
- New 'A' Rated Energy Efficient Motor

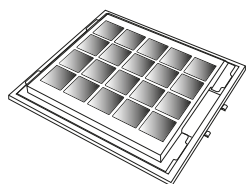
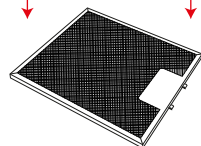
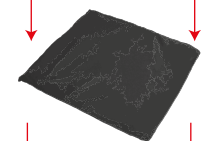
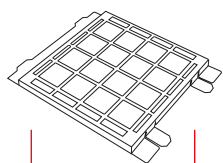


Replacement Switch

\*\*Please contact Luxair for further information\*\*



- 2x (6x 1w) LED Fittings  
+ 1x 6w LED Strip



1x Charcoal Filter Cosmic/Cresta - Washable  
1x Charcoal Filter Grill

\*\*Please note this charcoal filter + grill fits on to the Metal Grease filter. The filter then fits directly under the motor\*\*

Mesh Grills (current Models)

LA-CRESTA-ISL x1 260x330  
(All Models)

\*\*Please note you must measure your mesh grill size. Older models will have different sizes to current models\*\*

