



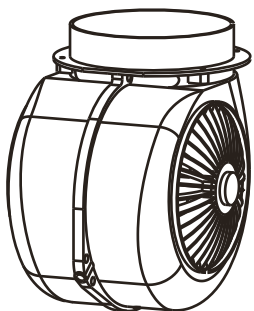
LUXAIR™
EXTRACTION WITH ATTRACTION

LA-CVD-ISL

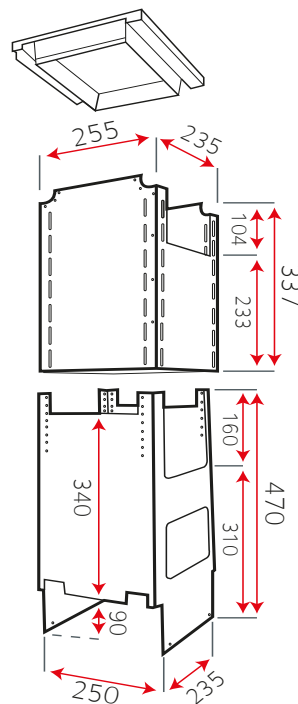
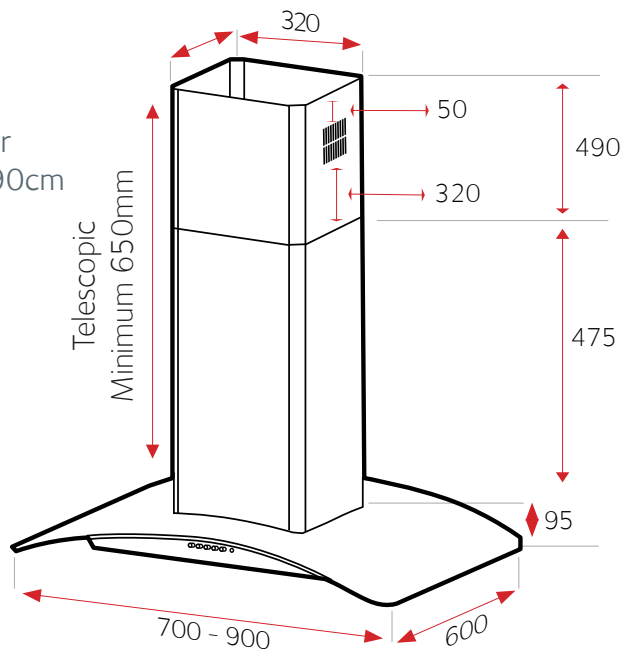


Reducer Collar reduces the motor exhaust from 150mm to 125mm if required (Already supplied in box)

Please note this hood must be installed on a minimum of 125mm Ducting

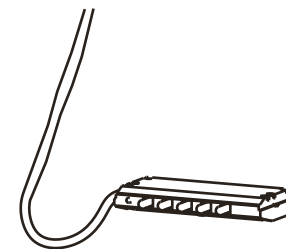


Spare Motor 980 m³/hr
- Fits Models 70cm - 90cm

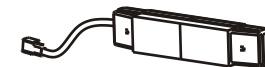


Replacement Switch 2

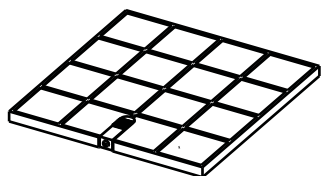
Please note on models pre 2012, switch unit is hard wired to the motor. All current models have a plug fitted to both the switch and motor



LED Driver - 1



-4x 1.3w LED Lights 4000° Kelvin



1x Charcoal Filter Square 2

Please note this filter fits directly under the motor. A screw fixing is located behind the metal grease filters

Mesh Grills (current Models)

LA-CVD-ISL x2 317x258
(All Models)

Please note you must measure your mesh grill size. Older models will have different sizes to current models

