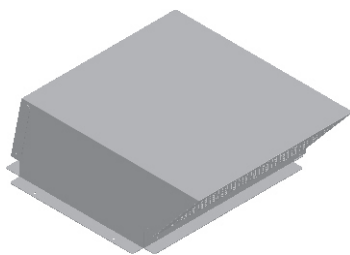




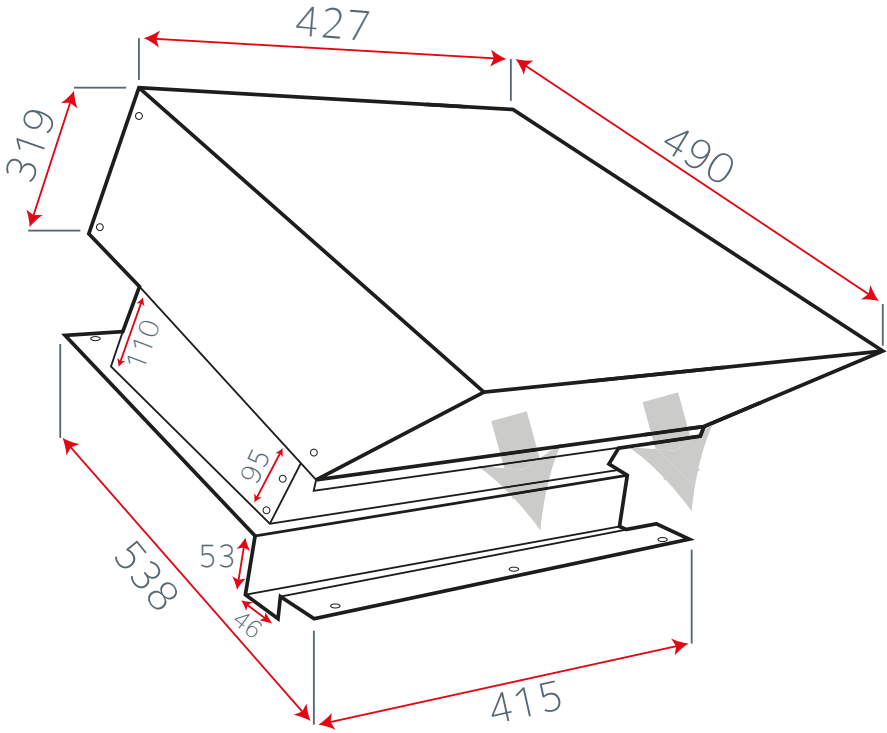
Pitched Roof + Wall Mounted External Motor

Installation instructions
+
Line Drawings

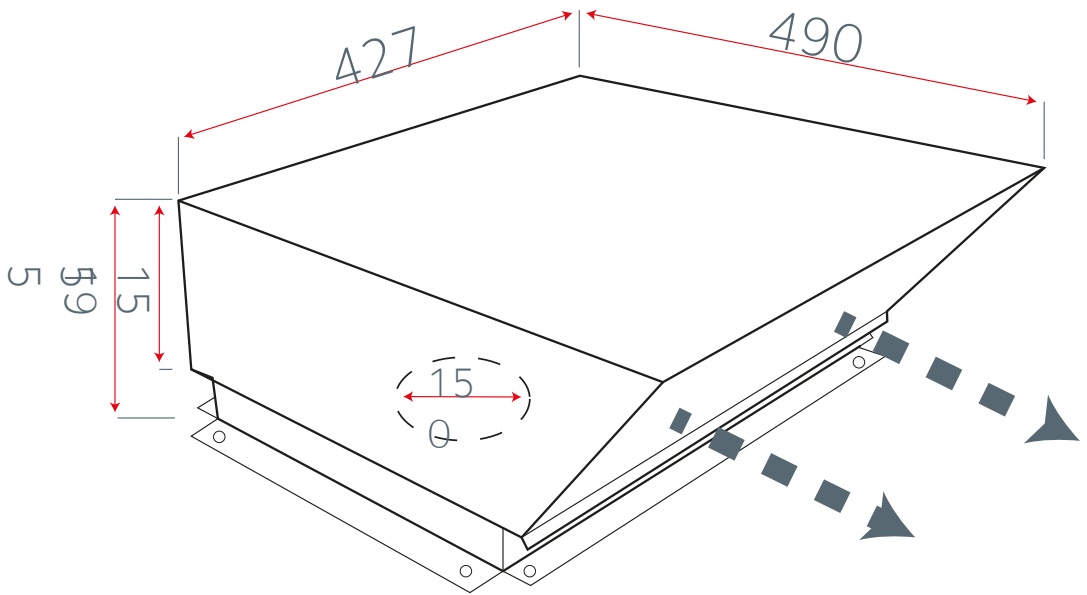


LUXAIR
EXTRACTION WITH ATTRACTION

Pitched Roof External Motor



Wall Mounted External Motor



Important information

This appliance conforms to the relevant safety regulations.

The installation, the connection to the electrical net and repairs should be carried out only by qualified specialists.

Improperly executed repairs can give rise to significant hazards for the user.

For repair and care always disconnect the motor from electricity by pulling out the plug from the hood or by disconnecting the hood from the electricity.

Old appliances are not worthless rubbish. Valuable raw materials can be reclaimed by recycling old appliances. Before disposing of your old appliance render it unusable.

You received your new appliance in a protective shipping carton. All packaging materials are environmentally friendly and recyclable. Please contribute to a better environment by disposing of packaging materials in an environmentally friendly manner.

Please ask your dealer or inquire at your local authority about current means of disposal.

Prior to installation

When the extractor hood is operated in exhaust-air mode simultaneously with a different burner which also makes use of the same chimney (such as gas, oil or coal-fired heaters, continuous-flow heaters, hot-water boilers) **care must be taken to ensure that there is adequate supply of fresh air** which will be needed by the burner for combustion.

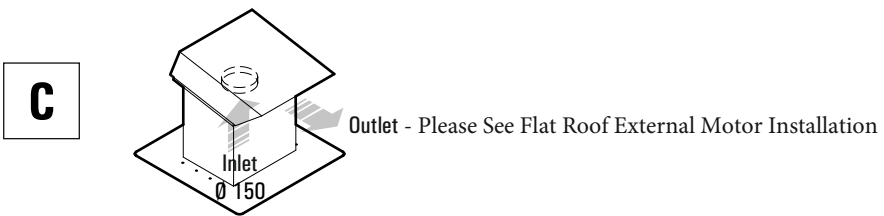
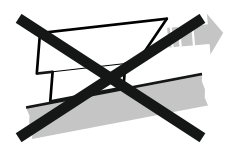
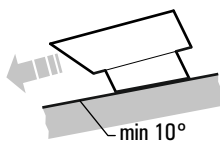
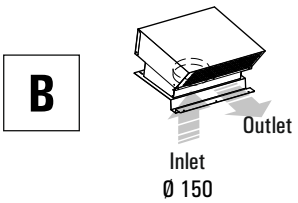
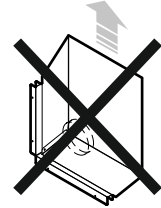
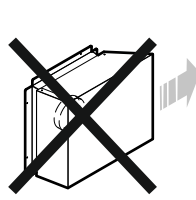
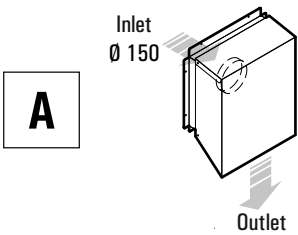
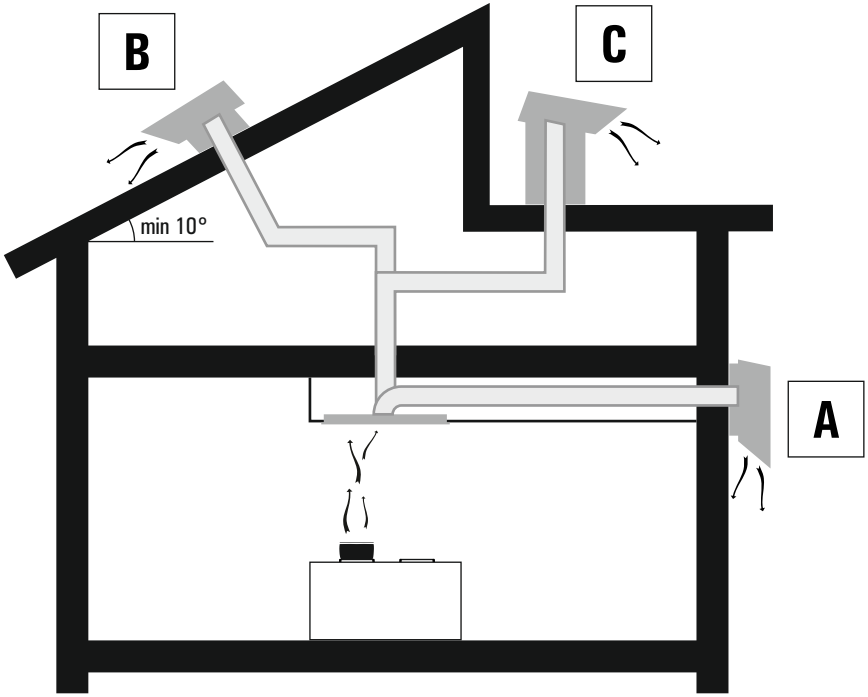
Safe operation is possible provided that the underpressure in the room where the burner is installed does not exceed 4 Pa (0,04mbar).

This can be achieved if combustion air can flow through non lockable openings, e.g. in doors, windows and via the air-intake/exhaust-air wall box or by other technical measures, such as reciprocal interlocking.

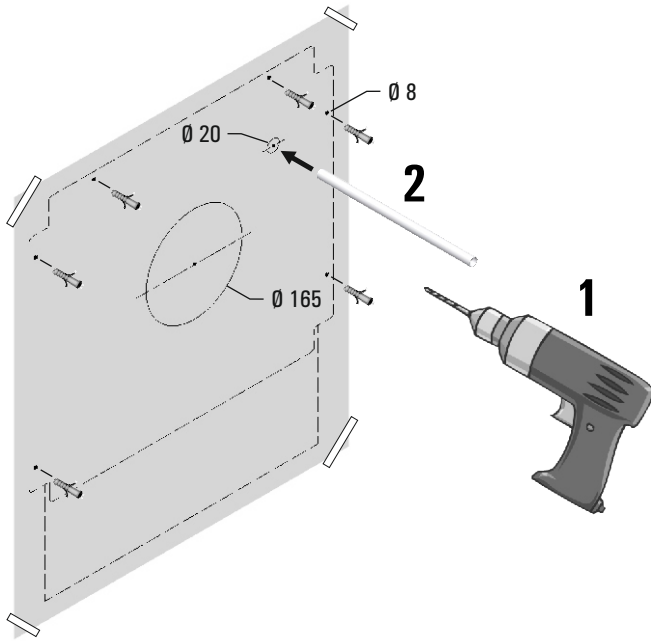
If the air intake is inadequate, there is a risk of poisoning from combustion gases which are drawn back into the room.

Pay special attention to the following warnings:

- The fan is designed for installation on sloping tiled roofs only. The slope of the roof must be at least 10°.
- The fan must not be installed on flat roof or Eternit roof.
- The fan must be installed by qualified roofer only.
- The fan must be attached at least 2 m from the extractor hood.
- Do not attach the outer wall fan near windows, doors or patios.
- When attaching the outer wall fan, ensure that:
 - residents and neighbours are not disturbed by noise and odours,
 - it is accessible for maintenance and repairs.
- The plug and socket connections of the electric cables must be located inside the building.
- Connect the cooker hood with the fan only by round smooth pipes with Ø 150mm and using as less bends as possible in the pipes. If necessary buy a special accessory called silencer for pipes Ø 150 mm.

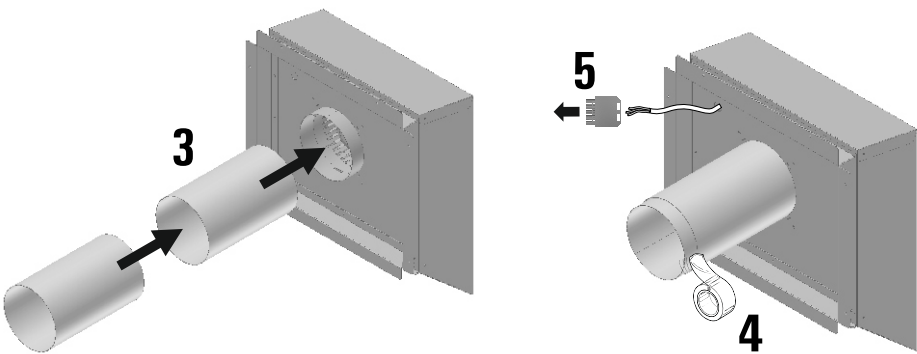


A



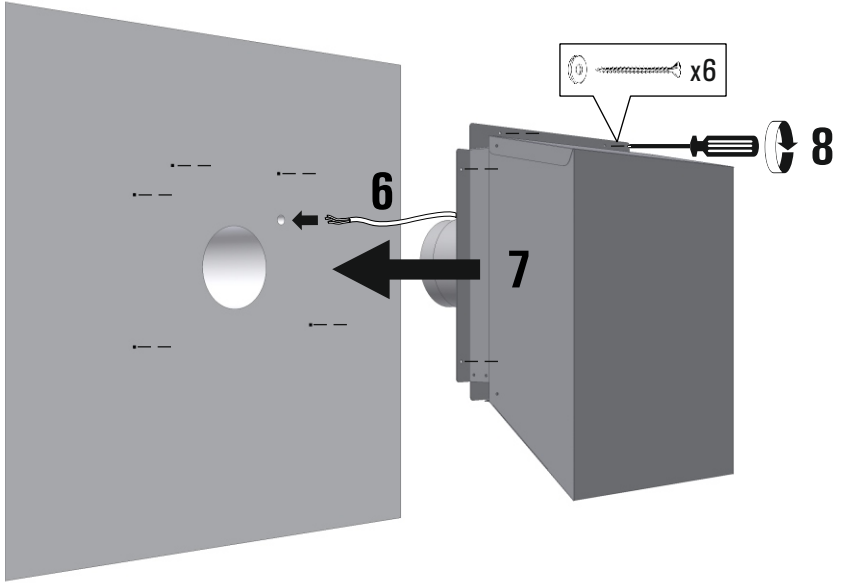
M 1

A



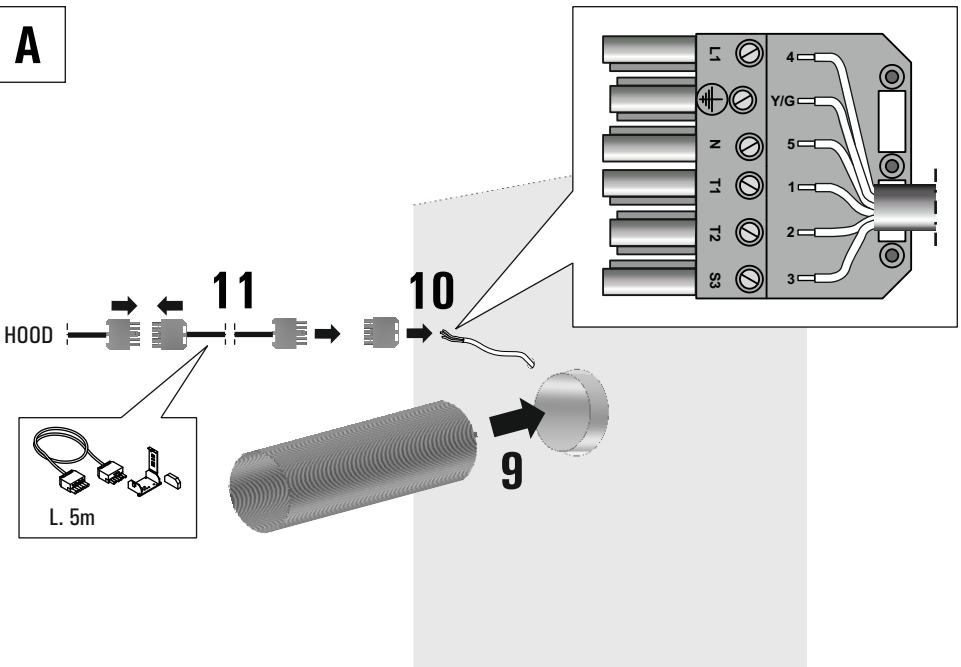
M 2

A



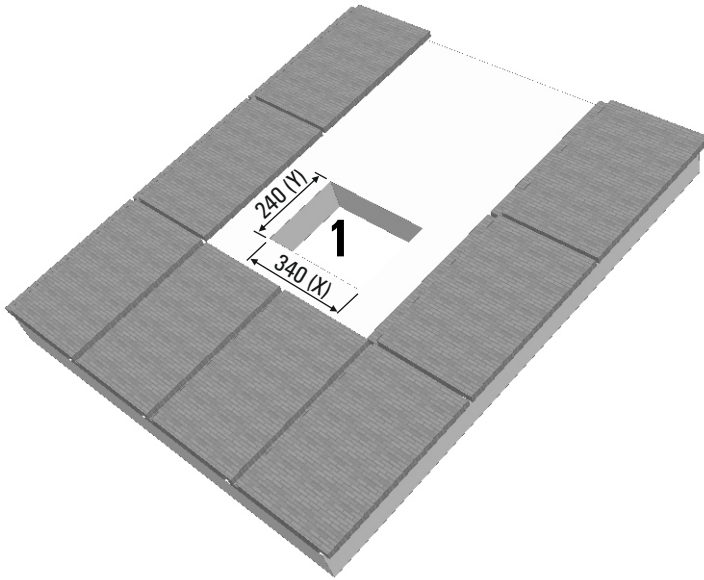
M 3

A



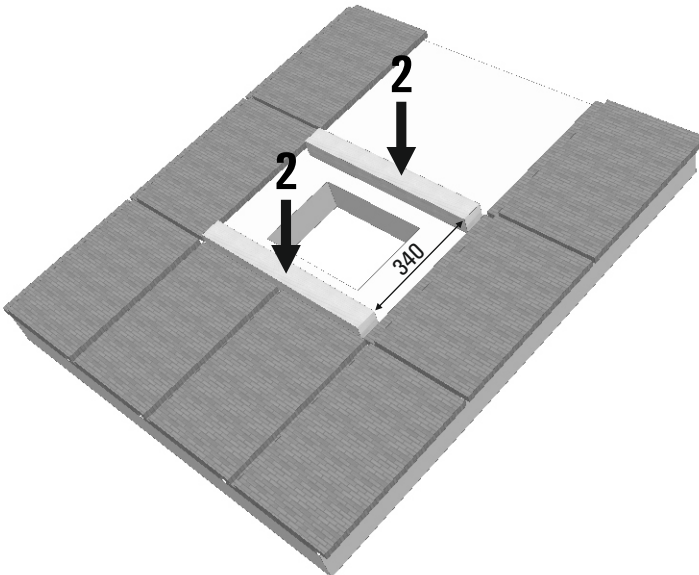
M 4

B



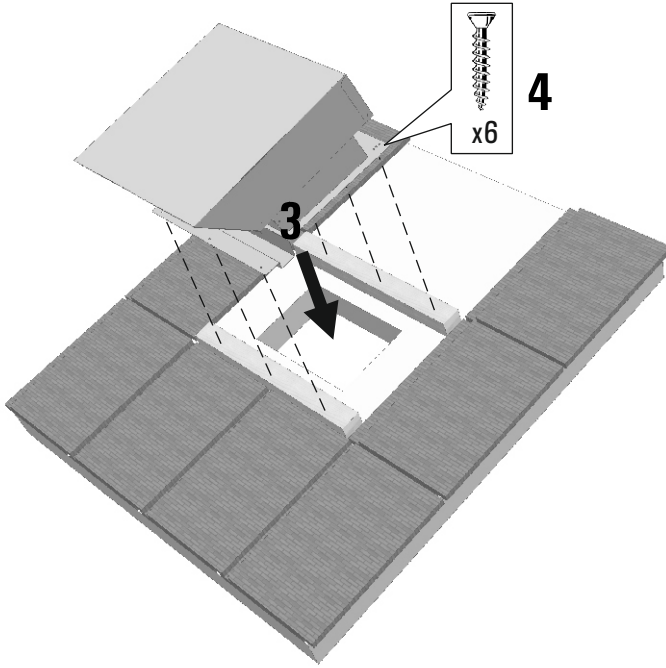
M 1

B



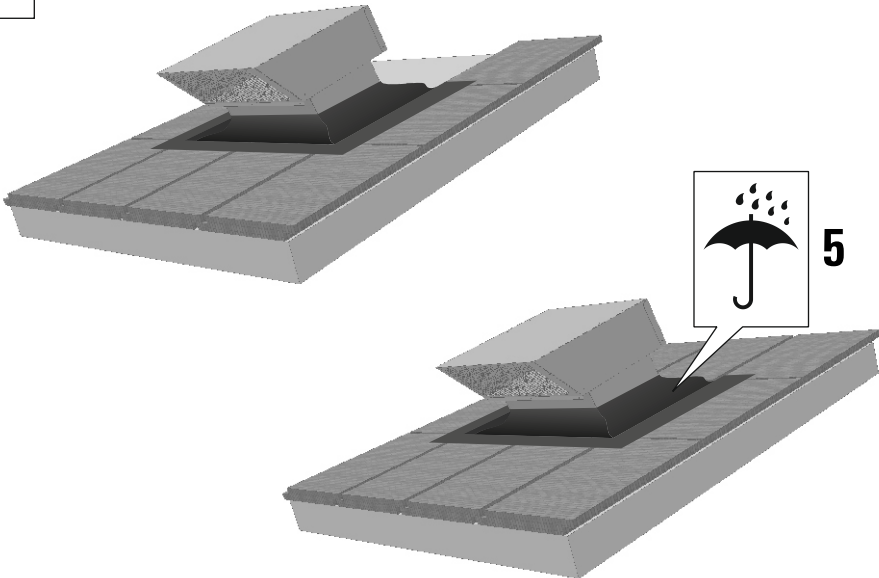
M 2

B



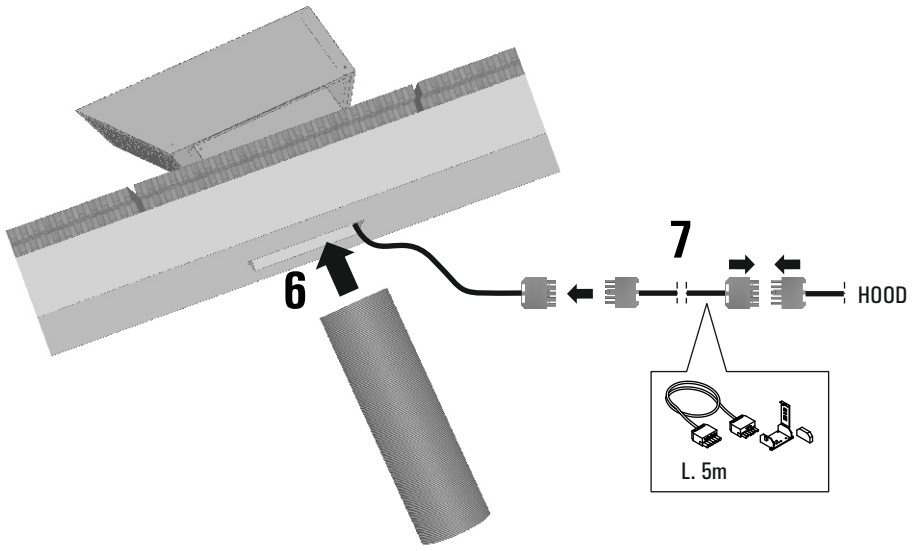
M 3

B



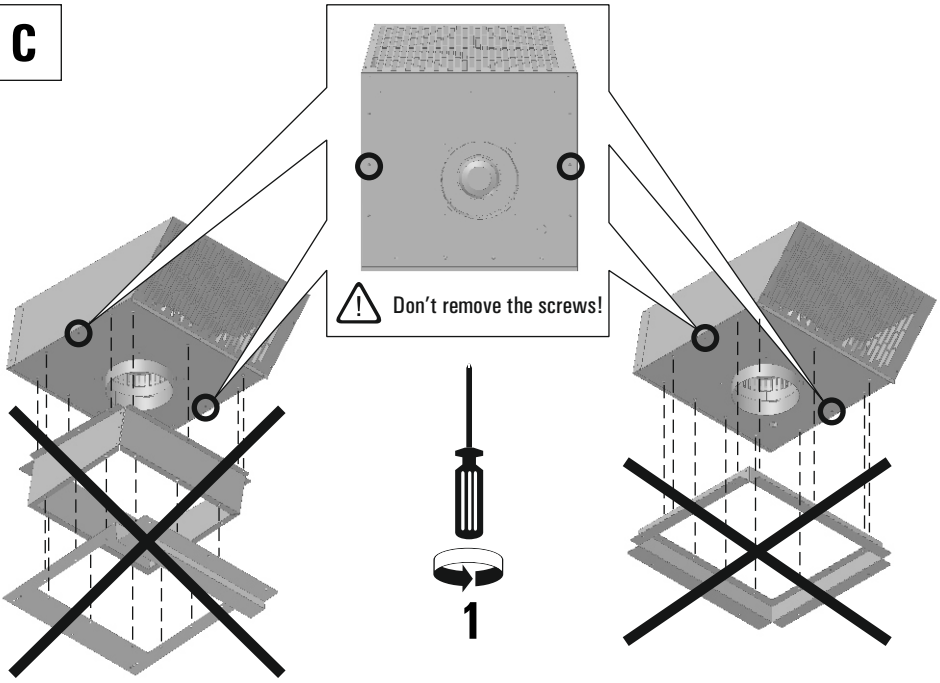
M 4

B

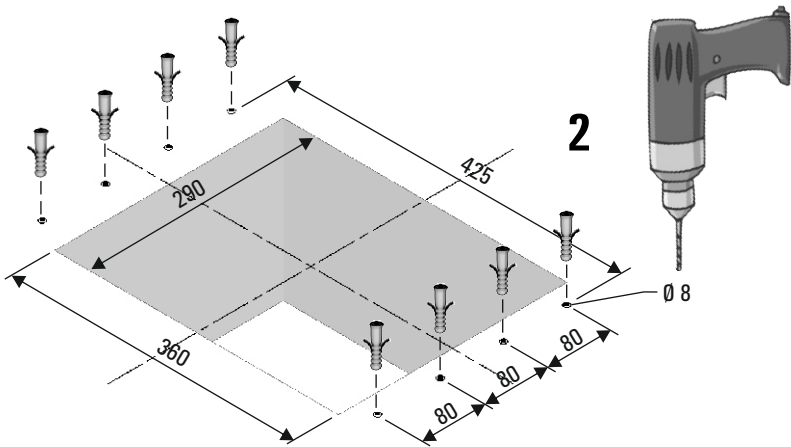


M 5

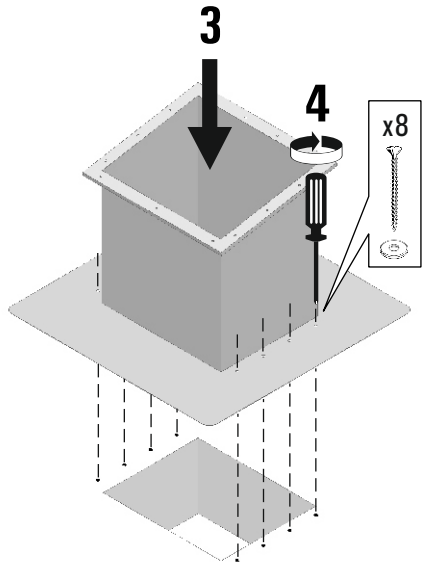
C



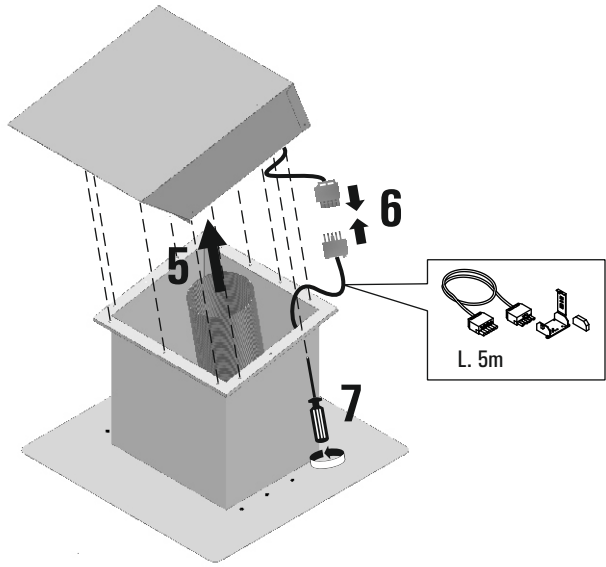
C



C



M 3



M 4