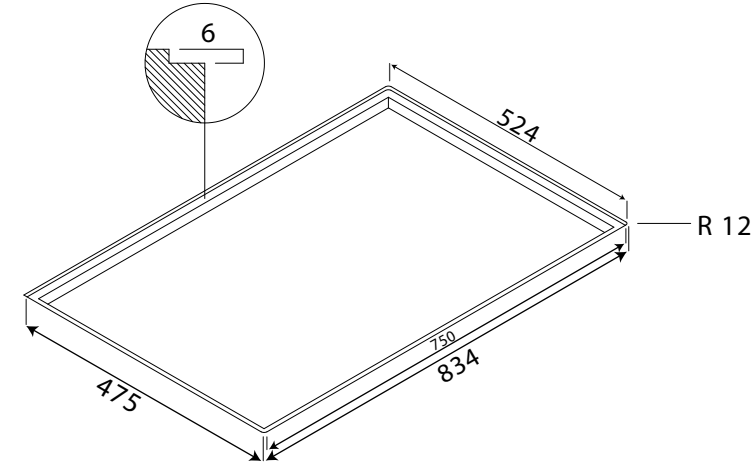
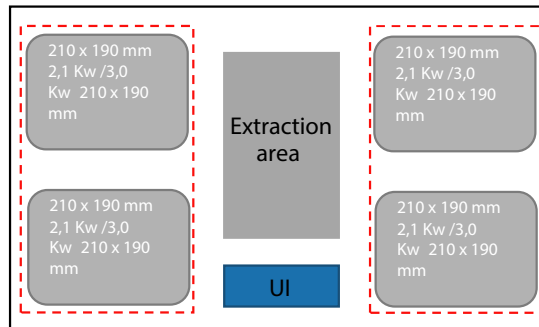
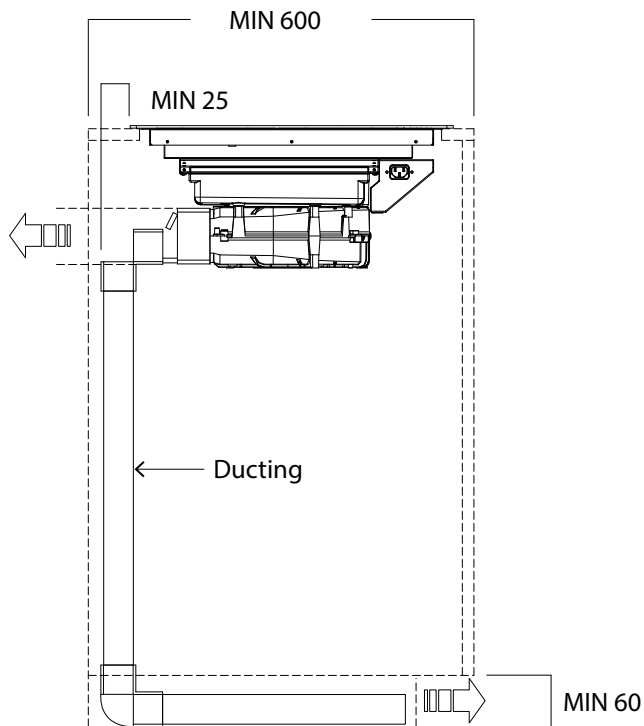


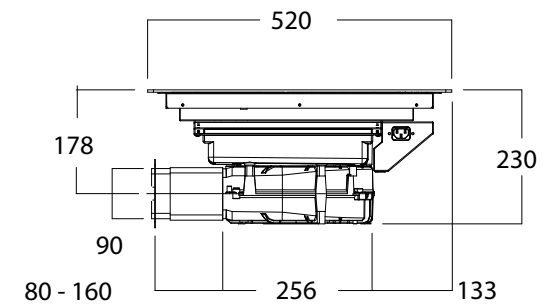
Standard Mounting



Flush Mounting



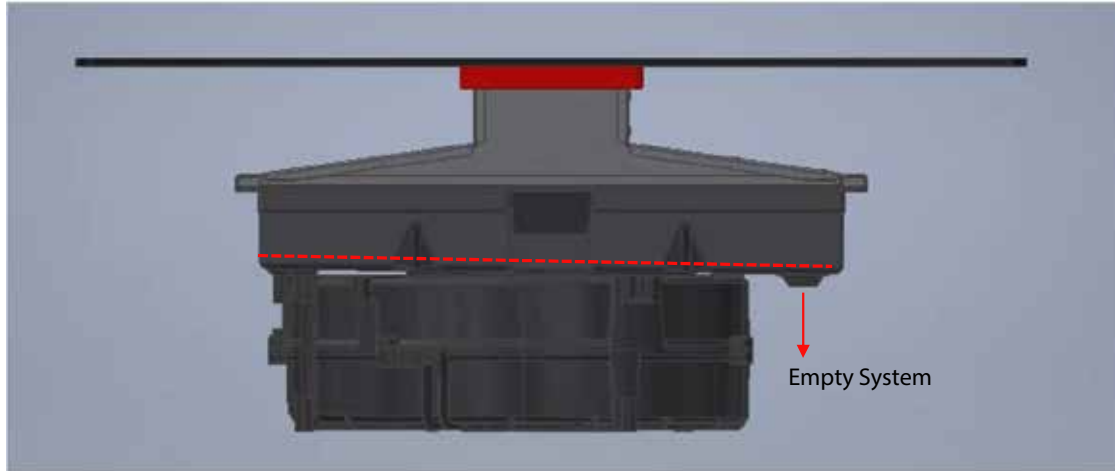
BRIDGE 1.5Kw / 1.85Kw Boost



800m<sup>3</sup>/hr Brushless Motor

|                          | Speed 1               | Speed 9               | Boost                 |
|--------------------------|-----------------------|-----------------------|-----------------------|
| <b>Extraction Rate</b>   | 220m <sup>3</sup> /hr | 450m <sup>3</sup> /hr | 620m <sup>3</sup> /hr |
| <b>Noise Levels DB/A</b> | 44 DB                 | 63DB                  | 69DB                  |

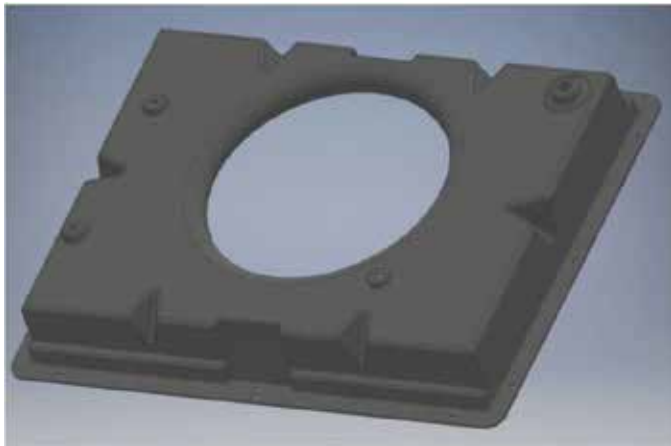
# Extraction Area



The shape of the motor mounting ensures that the dropped water will always be directed to the emptying system.



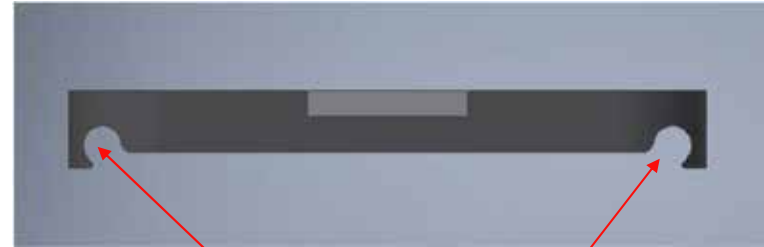
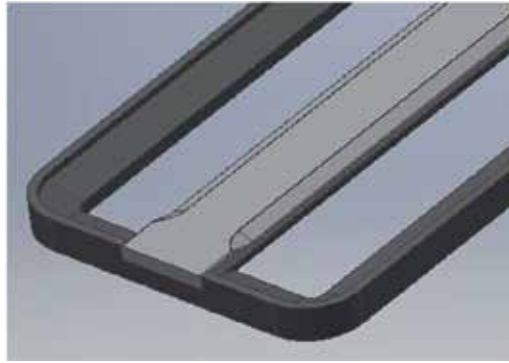
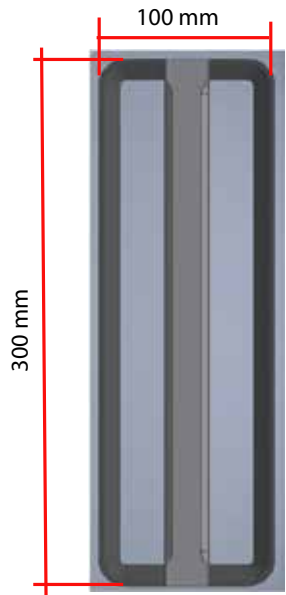
INTERNAL PART OF THE PLASTIC CASE – EASY TO CLEAN



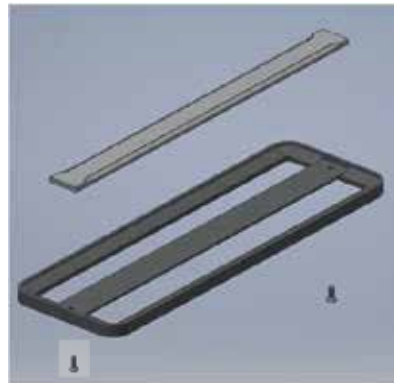
Bottom Section

# Grease Filters

## EXTRACTOR – GRID



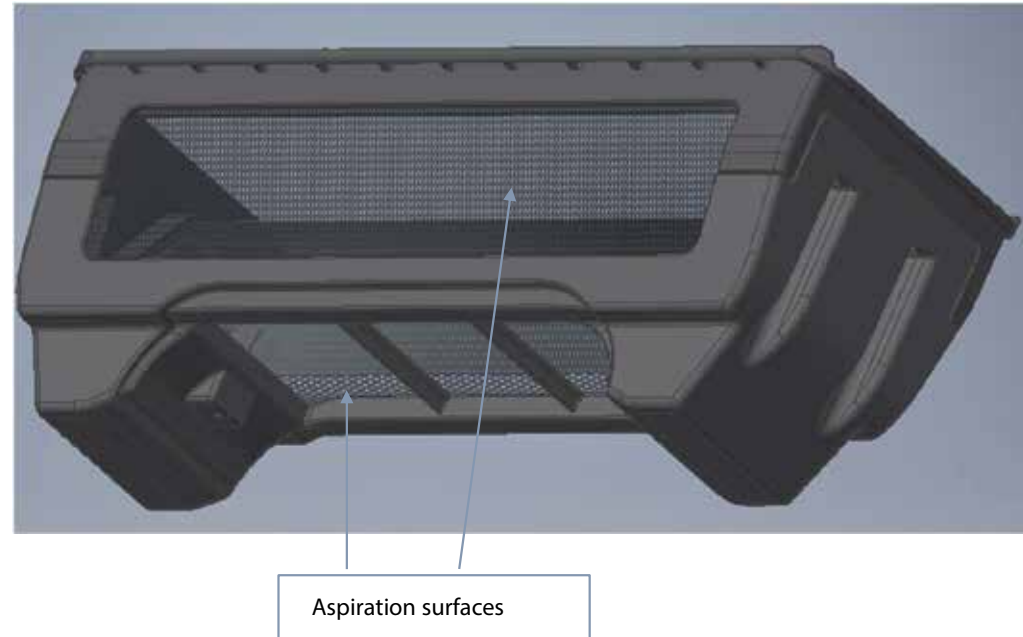
sliding parts for fixing grid directly on the grease filter



For easy maintenance, it's possible to remove grid and filter together

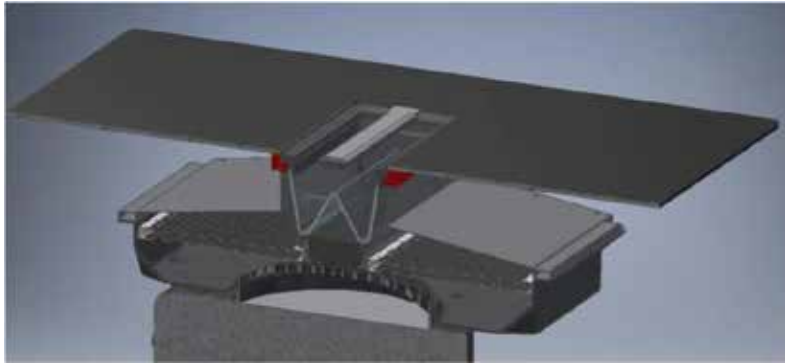
# Grease Filters

## *HOB EXTRACTOR – GREASE FILTER*



# Charcoal Filters

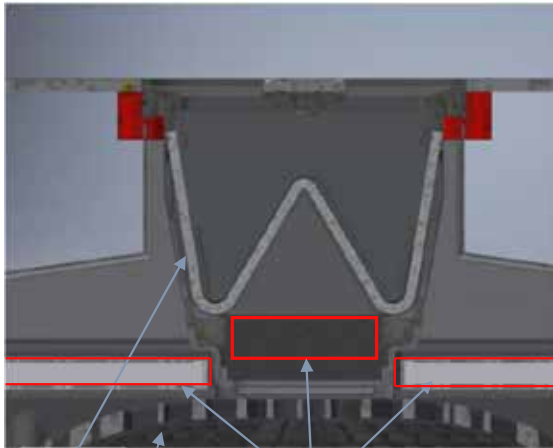
## HOB EXTRACTOR – RECIRCULATION VERSION OPTION 1



Regenerable filter – LONG LIFE – can be installed from the extraction area. Remove the grid and grease filter to install.



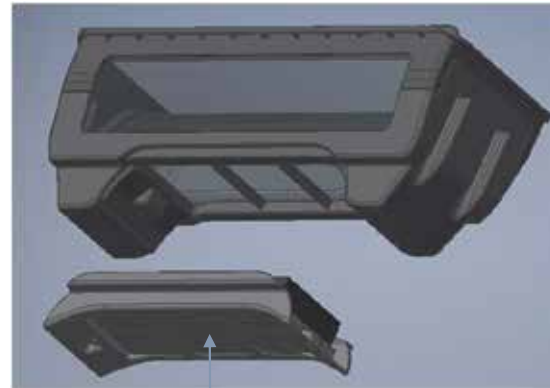
Long Life Kit



Grease filter

Motor

Long Life filter



Plastic + long life to add and cover the bottom part of the filter

Only 2 steps to access the filters

Instruction:

- Remove the grid and the filter together,
- Remove the long life filter,
- Follow the procedure to regenerate the filter (dishwasher and oven).

# Installation

## HOB EXTRACTOR – INSTALLATION

