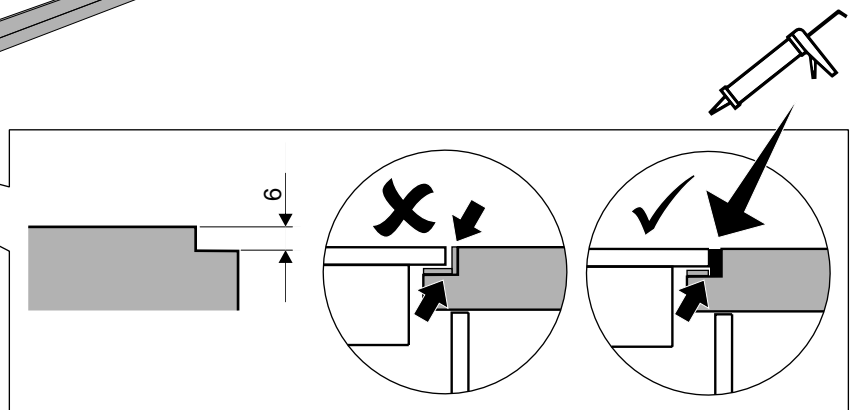
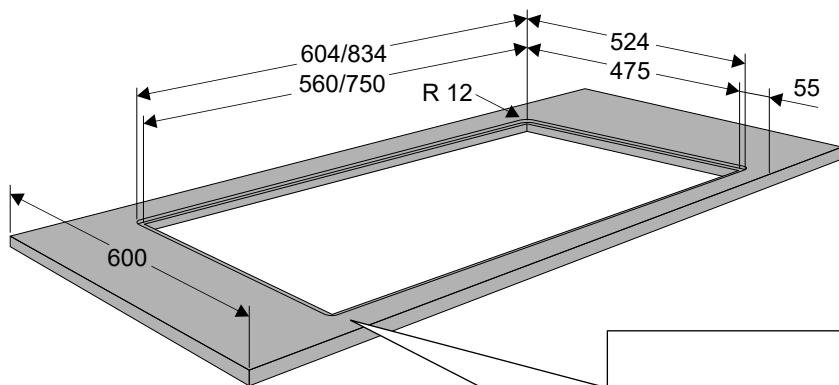
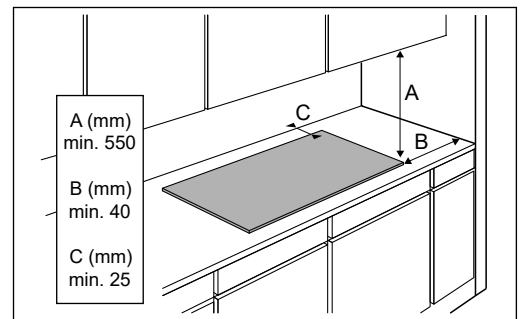
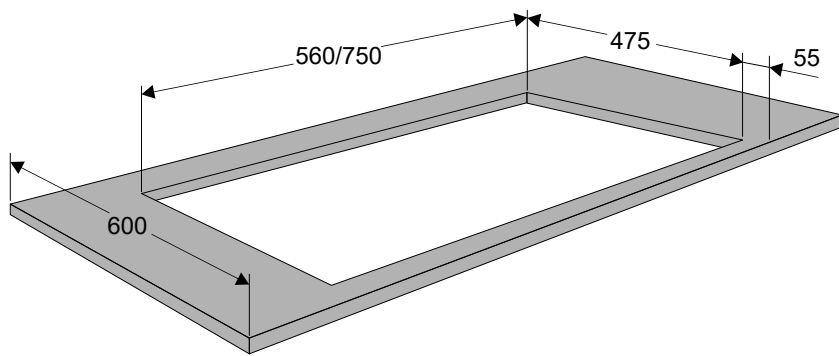
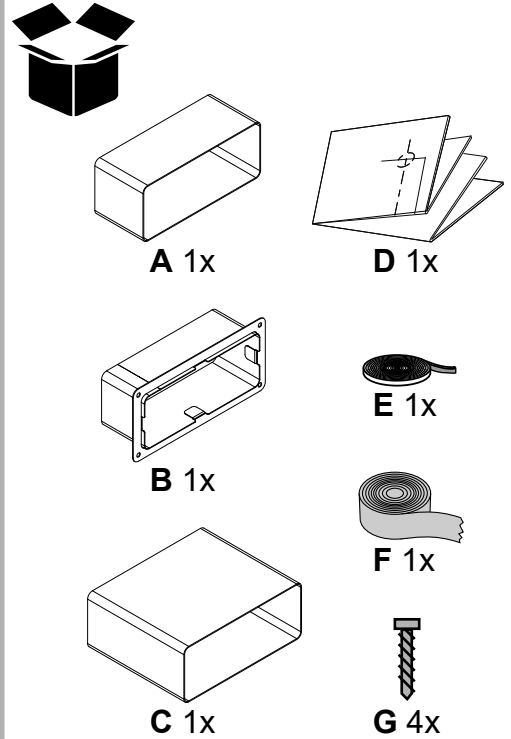
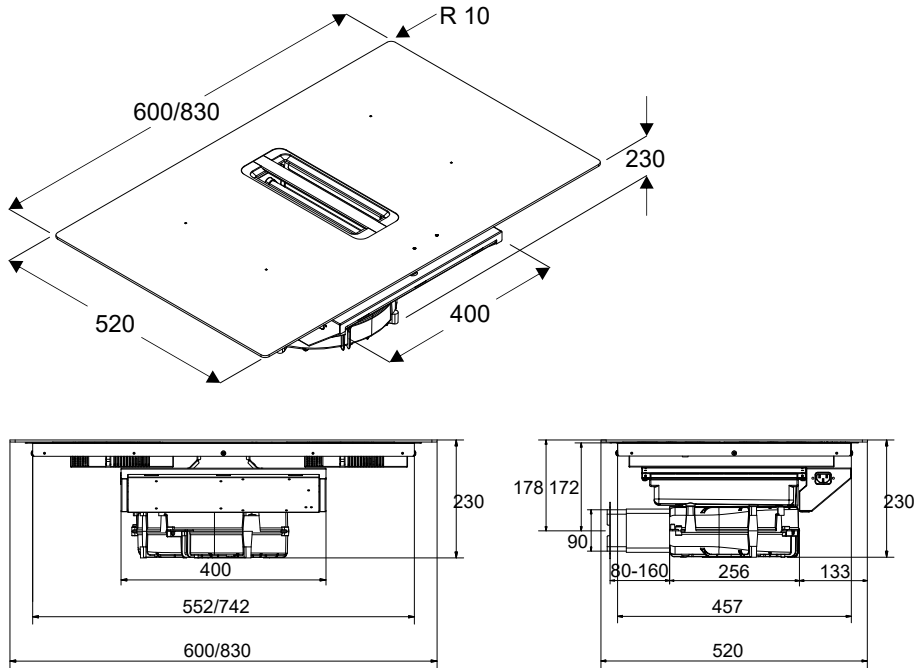
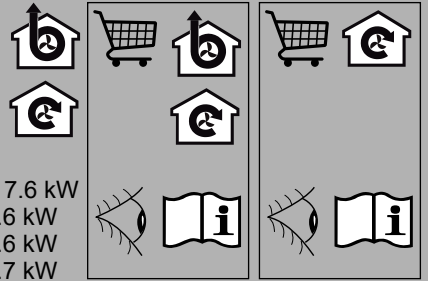



LA-83-ARCUS



INSTALLATION GUIDE

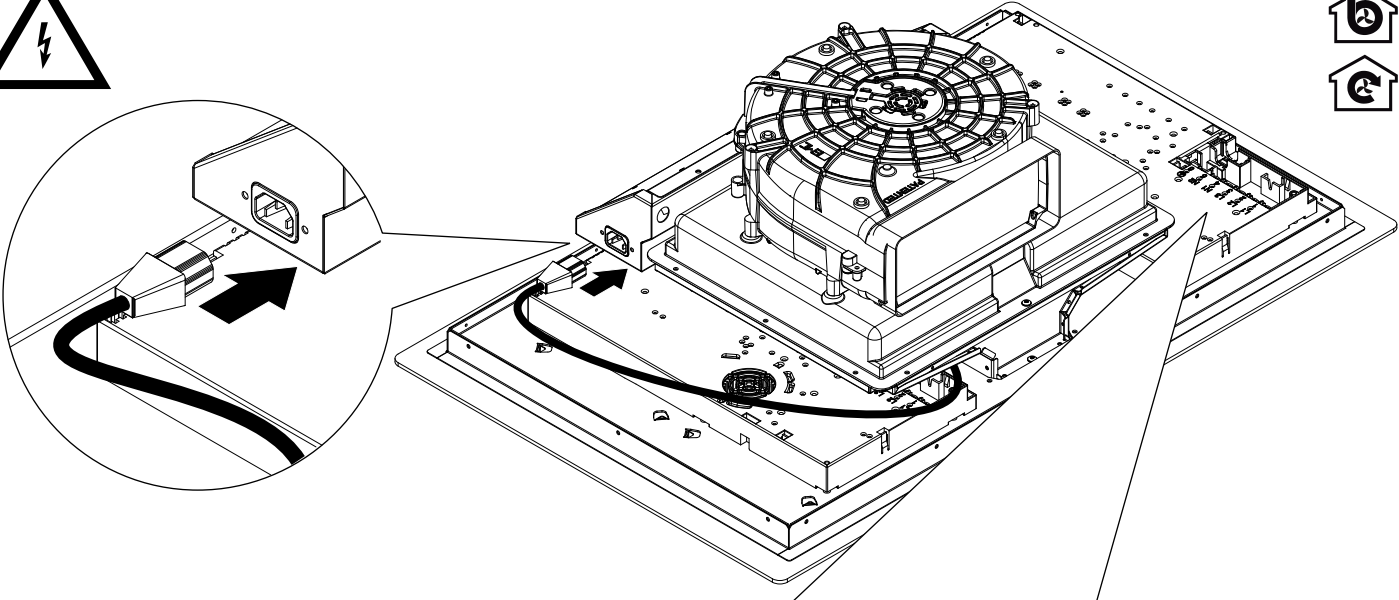


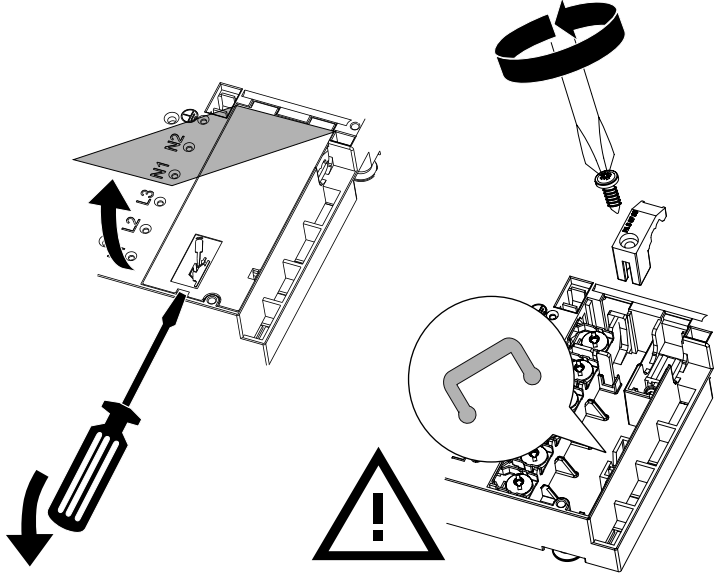
2-2N: 220-240V - 50/60 Hz - 7.6 kW
 2N: 380-415V - 50/60 Hz - 7.6 kW
 1N: 220-240V - 50/60 Hz - 7.6 kW
 1N: 220-240V - 50/60 Hz - 3.7 kW

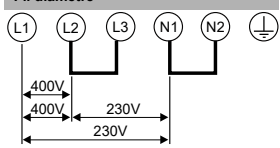
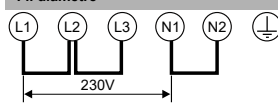
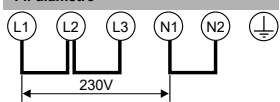


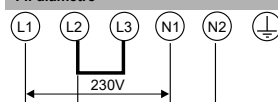




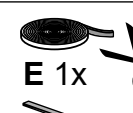











<p>2N 380-415V 50/60Hz - 2x 16A ⇐</p> <p>2 fase - 1 nul 2 phases - 1 neutral 2 Phasen - 1 Nullanschluss 2 phases et 1 neutre</p> <p>Aderdoorsnede Aderquerschnitt Cross sectional area Fil diamètre</p> <p style="text-align: right;">4x2,5 mm²</p> 	<p>1N 220-240V 50/60Hz - 1x 32A ⇐</p> <p>1 fase - 1 nul 1 phase - 1 neutral 1 Phase - 1 Nullanschluss 1 phase et 1 neutre</p> <p>Aderdoorsnede Aderquerschnitt Cross sectional area Fil diamètre</p> <p style="text-align: right;">3x4 mm²</p> 
<p>1N 220-240V 50/60Hz - 1x 16A ⇐</p> <p>1 fase - 1 nul 1 phase - 1 neutral 1 Phase - 1 Nullanschluss 1 phase et 1 neutre</p> <p>Aderdoorsnede Aderquerschnitt Cross sectional area Fil diamètre</p> <p style="text-align: right;">3x2,5 mm²</p>  <p>⚠ Max 3720W  </p>	<p>2-2N 230V 50Hz - 2x 16A ⇐</p> <p>2 fase - 2 nullen 2 phases - 2 neutral 2 Phasen - 2 Nullanschlüsse 2 phases et 2 neutres</p> <p>Aderdoorsnede Aderquerschnitt Cross sectional area Fil diamètre</p> <p style="text-align: right;">5x2,5 mm²</p>  <p>⚠ only NL/alleen NL</p>


1



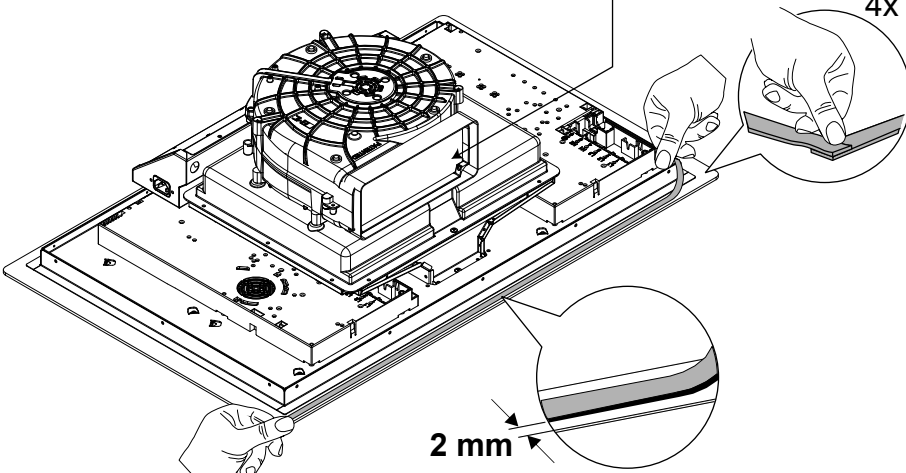



E 1x 

2x 

2x 

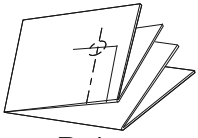
220mm x 90mm
Ducting Required



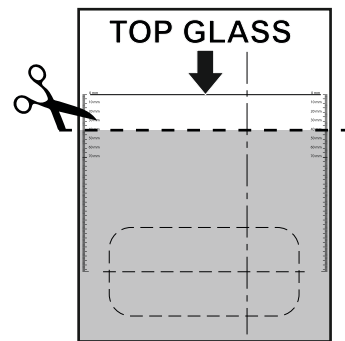
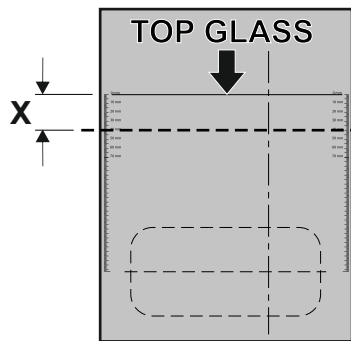
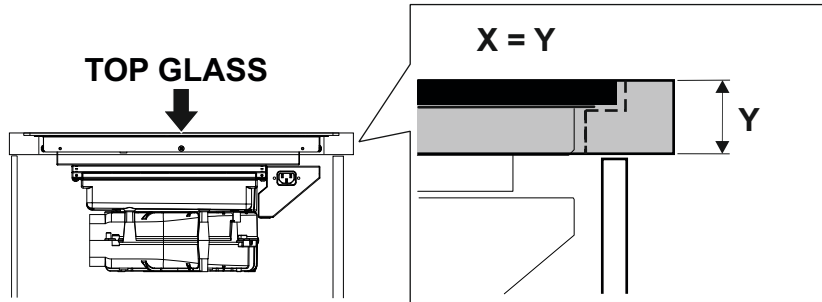
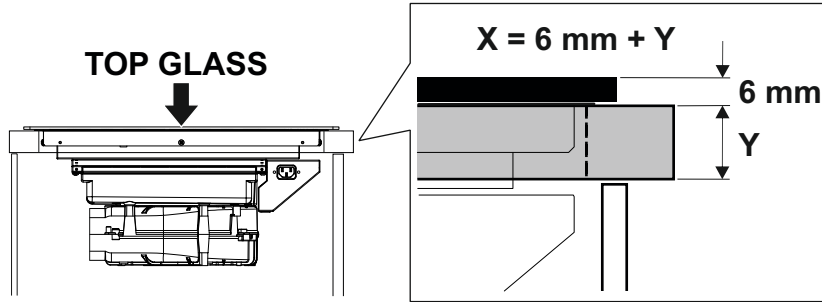
4x

2 mm

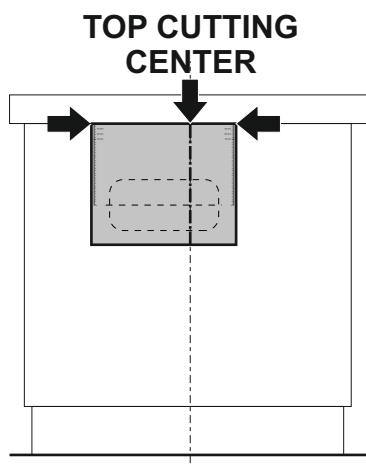
2



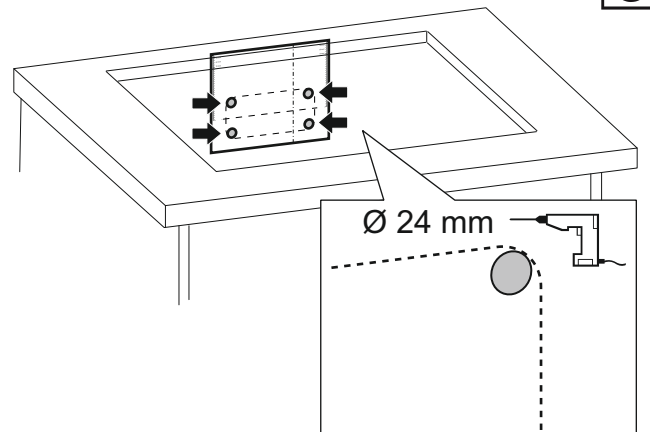
D 1x



3



4



5

Must be fitted on 220mm x 90mm ducting

