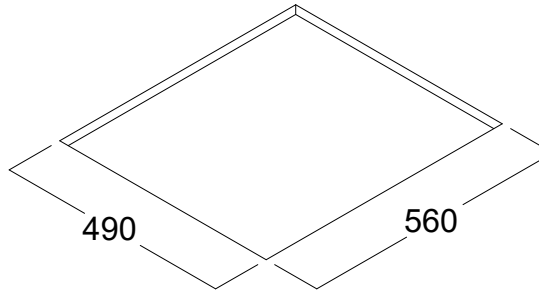
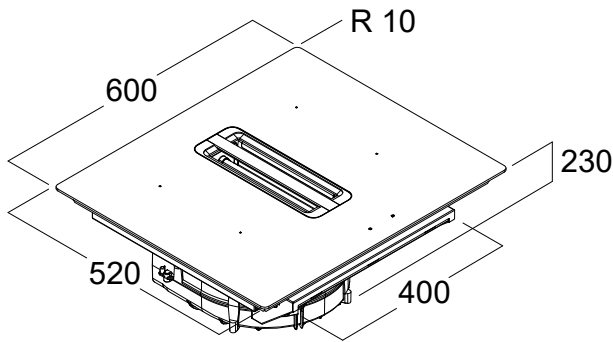


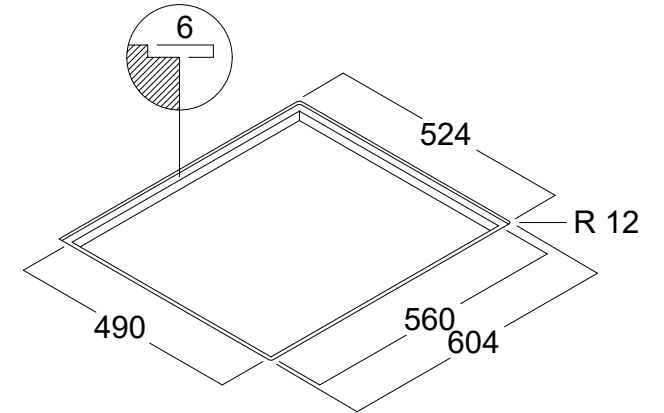


LUXAIR™
EXTRACTION WITH ATTRACTION

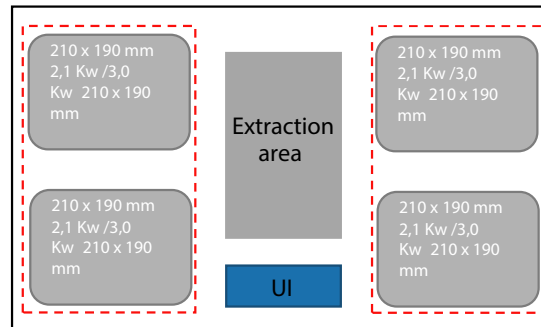
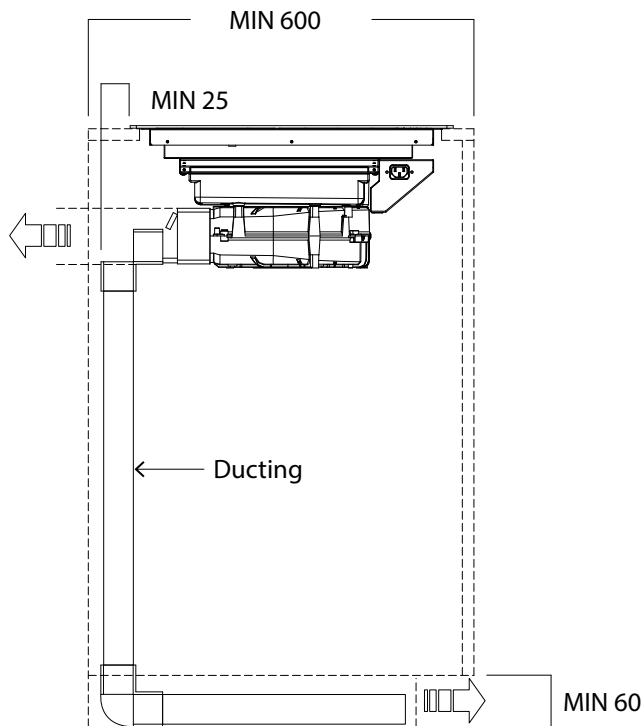
LA-60-ARCUS



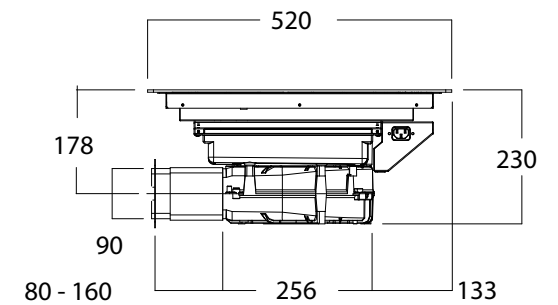
Standard Mounting



Flush Mounting



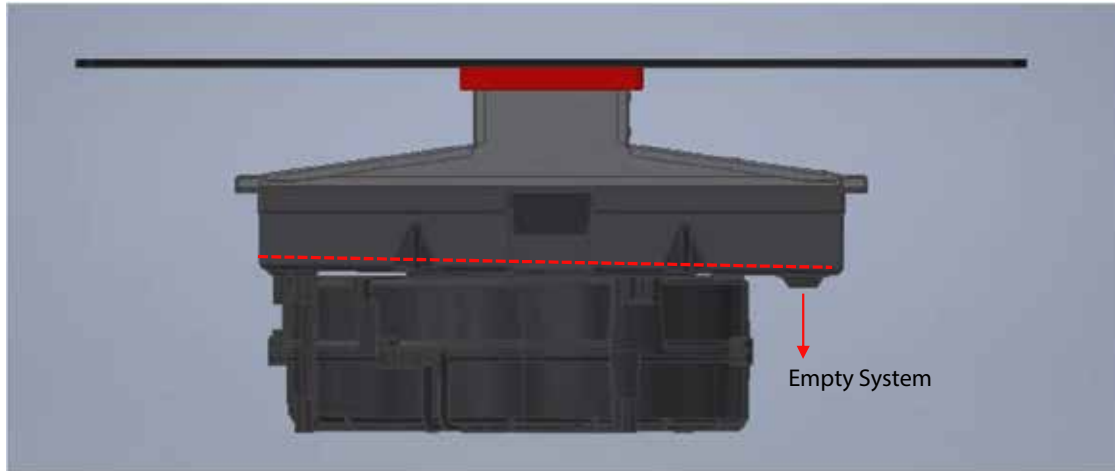
BRIDGE 1.5Kw / 1.85Kw Boost



800m³/hr Brushless Motor

	Speed 1	Speed 9	Boost
Extraction Rate	220m ³ /hr	450m ³ /hr	620m ³ /hr
Noise Levels DB/A	44 DB	63DB	69DB

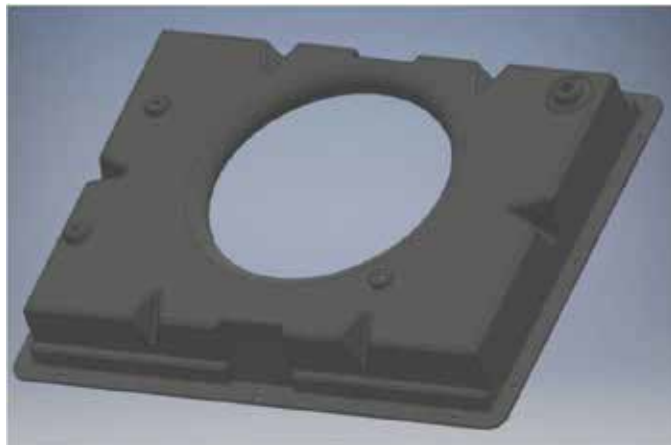
Extraction Area



The new shape ensures that the dropped water will always be directed to the emptying system.



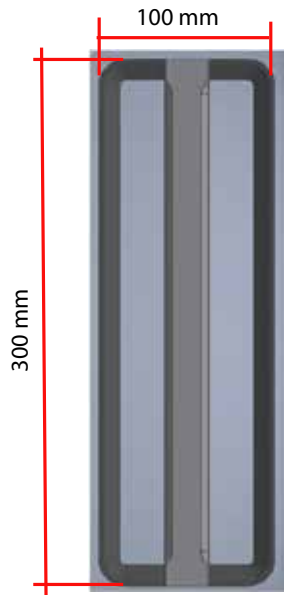
INTERNAL PART OF THE PLASTIC CASE – EASY TO CLEAN



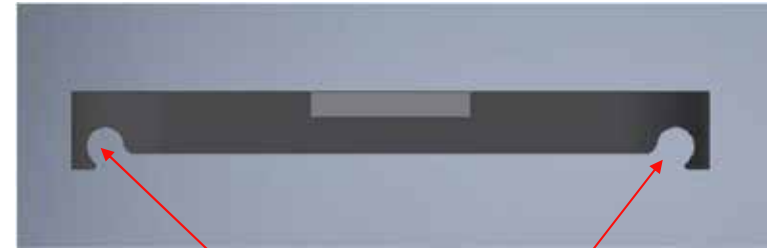
Bottom part

Grease Filters

EXTRACTOR – GRID



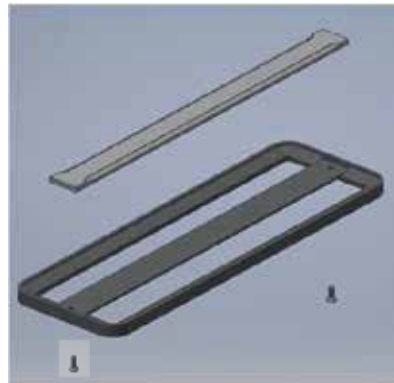
Using the same grid for both dimensions
(80 and 60 cm)



sliding parts for fixing grid directly on the
grease filter

Customizable part.
It can be glued and screwed
to the grid.
It's possible to have in:

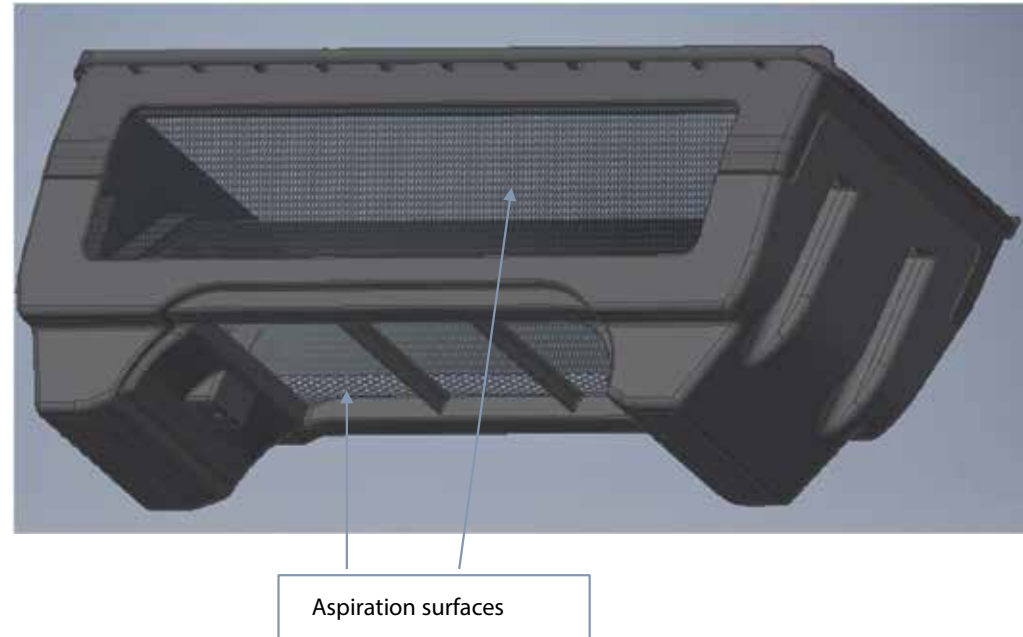
- Aluminium,
- Painted aluminium,
- Glass
- Wooden
- Stainless steel or painted.



For easy maintenance, it's possible to remove grid and filter together

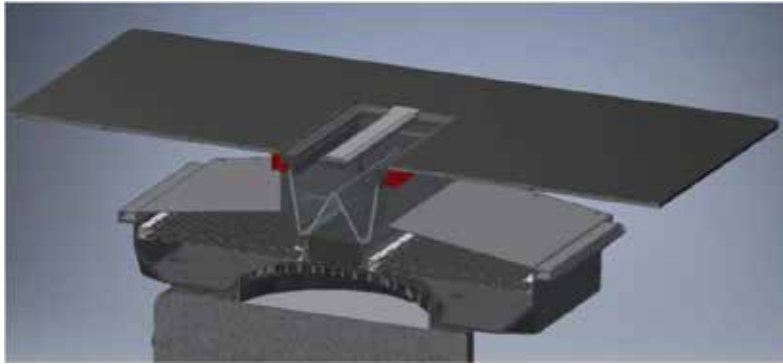
Grease Filters

HOB EXTRACTOR – GREASE FILTER



Charcoal Filters

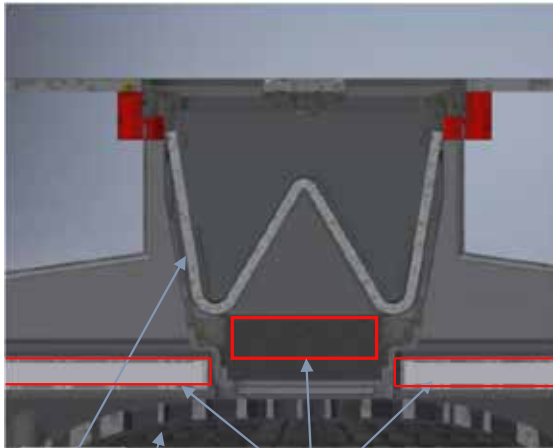
HOB EXTRACTOR – RECIRCULATION VERSION OPTION 1



NEW OPTION : a regenerable filter – LONG LIFE – can be installed from the suction area. Remove the grid and grease filter and you can install it. All maintenance operations are much simpler.



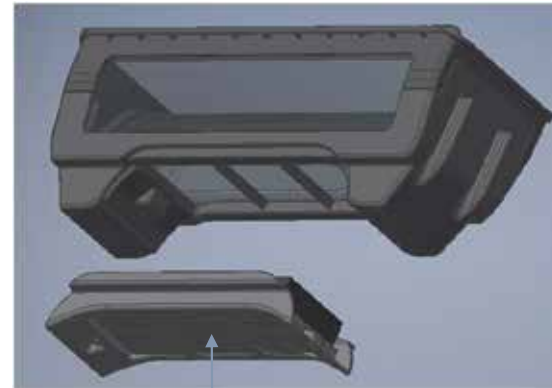
Long Life STARTER KIT



Grease filter

Blower

Long Life filter



Plastic + long life to add and cover the bottom part of the filter

Only 2 steps to access the filters

Instruction:

- Remove the grid and the filter together,
- Remove the long life filter,
- Follow the procedure to regenerate the filter (dishwasher and oven).

Installation

HOB EXTRACTOR – INSTALLATION

