



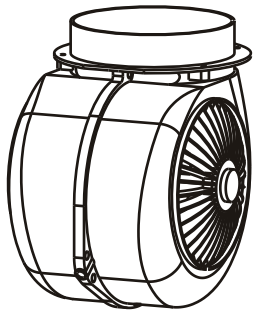
**LUXAIR**<sup>TM</sup>  
EXTRACTION WITH ATTRACTION

**LA-VAL**

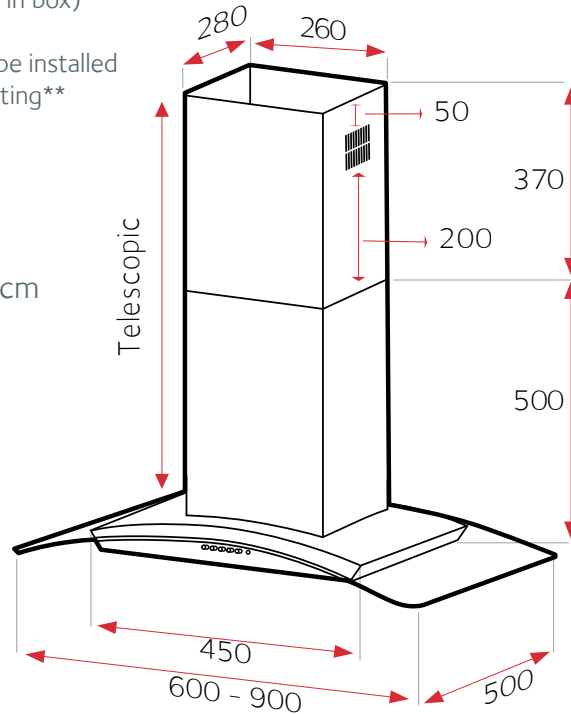


Reducer Collar reduces the motor exhaust from 150mm to 125mm if required (Already supplied in box)

\*\*Please note this hood must be installed on a minimum of 125mm Ducting\*\*

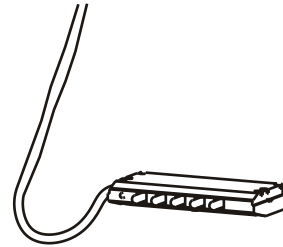


Spare Motor 480 m<sup>3</sup>/hr  
- Fits Models 60cm - 90cm



Replacement Switch 1

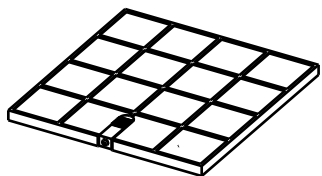
\*\*Please note on models pre 2012, switch unit is hard wired to the motor. All current models have a plug fitted to both the switch and motor\*\*



Transformer - 1



2x LED ES Bulbs 3.4w 6500 Kelvin



1x Charcoal Filter Square 3

\*\*Please note this filter fits directly under the motor. A screw fixing is located behind the metal grease filters\*\*

Mesh Grills (current Models)

LA-CVD-VAL 1 323x338  
(All Sizes)

\*\*Please note you must measure your mesh grill size. Older models will have different sizes to current models\*\*

