



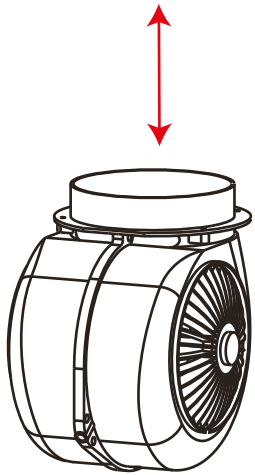
LUXAIRTM
EXTRACTION WITH ATTRACTION

LA-DELTA

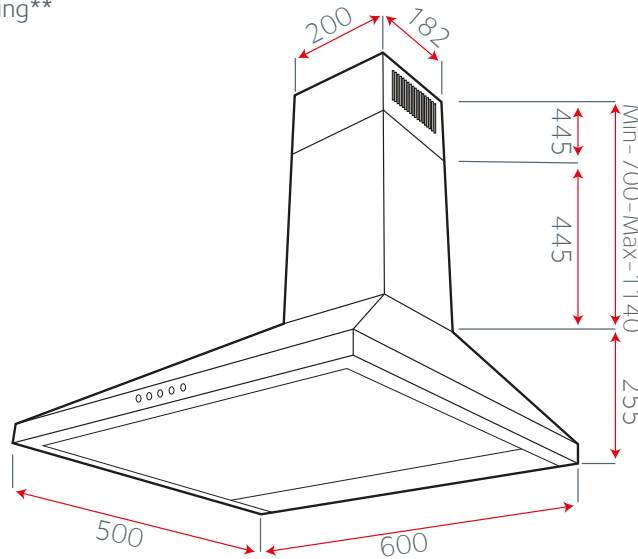


Reducer Collar reduces the motor exhaust from 150mm to 125mm if required (Already supplied in box)

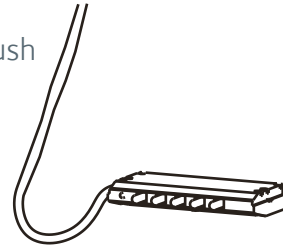
Please note this hood must be installed on a minimum of 125mm Ducting



Spare Motor 480 m³/hr
- Fits Models 60cm



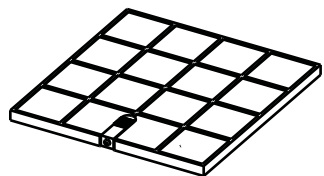
Replacement Switch CKO-Push



Transformer - 1



-2x 28w ES LED Bulb



2x Charcoal Filter Square 7

Please note this filter fits directly under the motor. A screw fixing is located behind the metal grease filters

Mesh Grills (current Models)

LA-Delta 2 270x250
(All Sizes)

Please note you must measure your mesh grill size. Older models will have different sizes to current models

