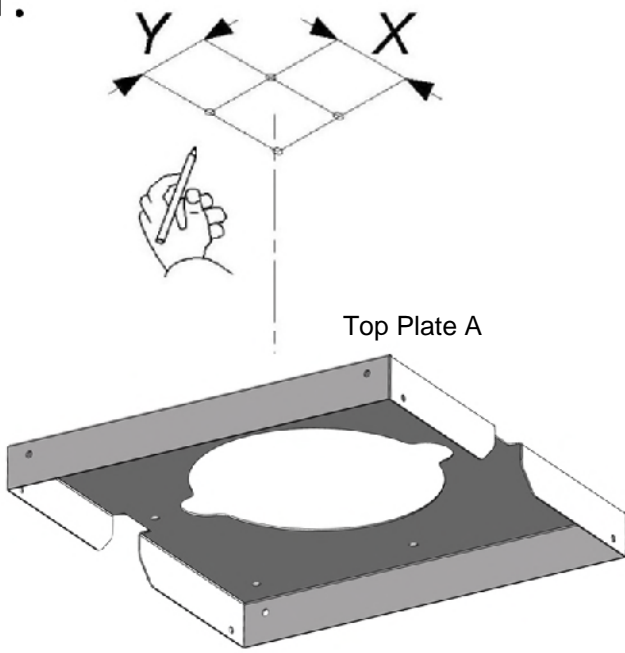


New Cosmic Island Cooker Hood - Designer Range
LA-90-Cosmic-Island



1.



Use the top plate as a template to mark out your drill hole positions as above

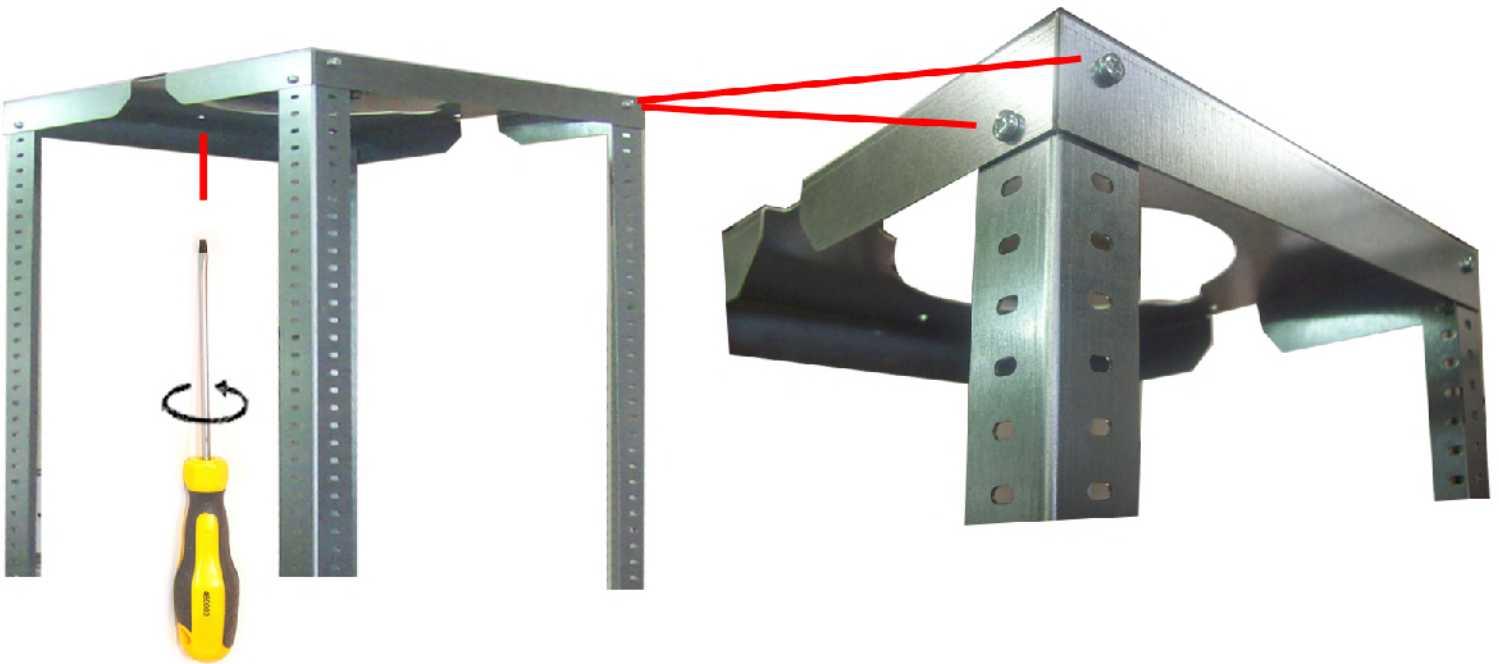
2.



Drill and plug your holes. please note each installation is different so please ensure you have the correct fixings to the fixing material you are using.

Now attach the top plate A to the upright support frames using the bolts supplied, and secure these tightly.

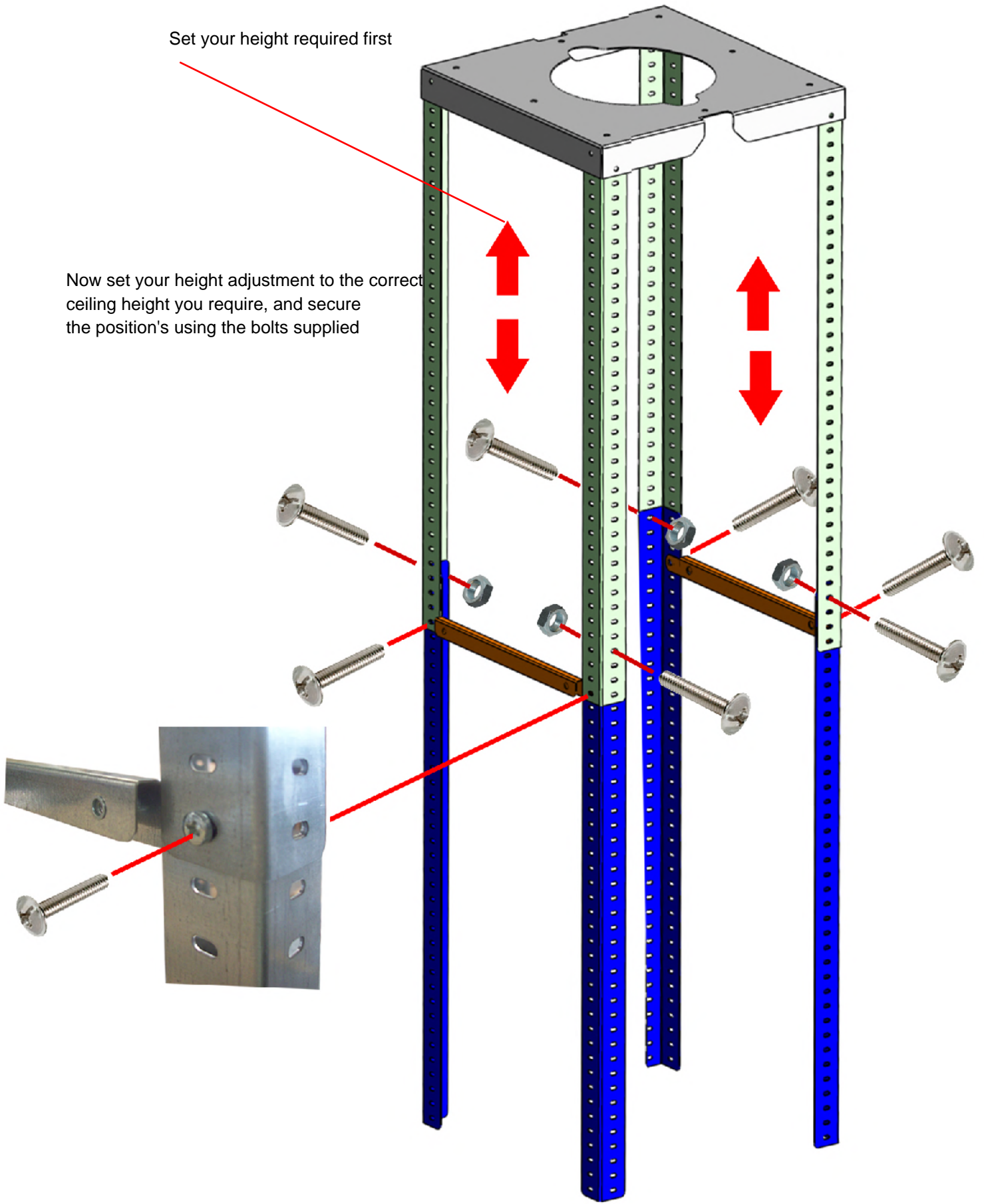
3.



4.

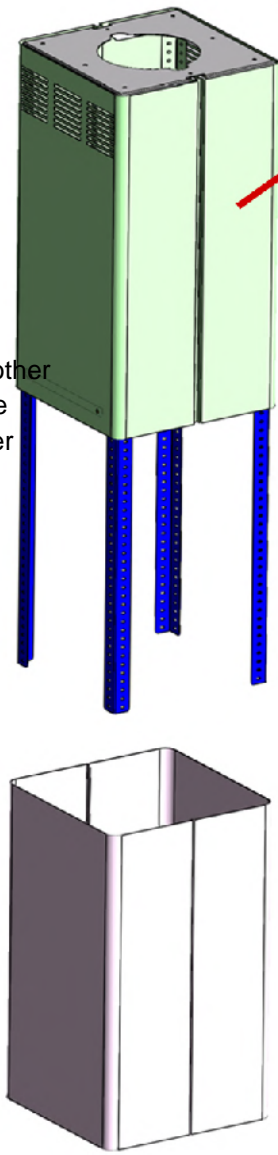
Set your height required first

Now set your height adjustment to the correct ceiling height you require, and secure the position's using the bolts supplied



5.

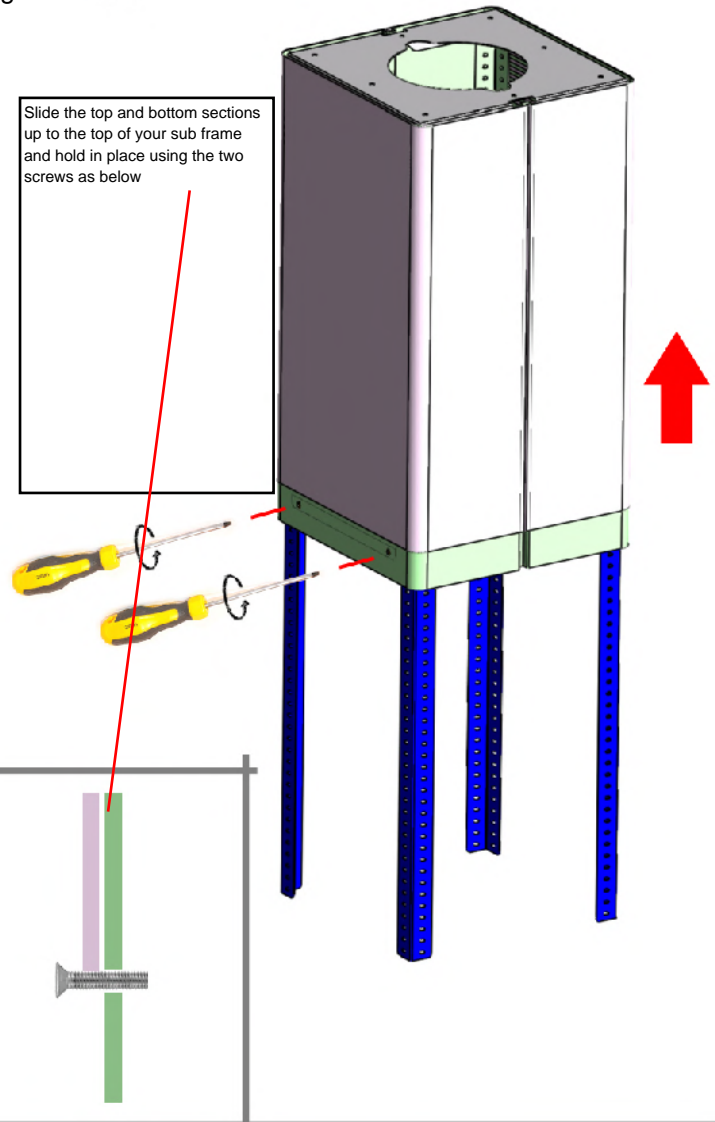
Now insert the outer chimney sections top and bottom into each other and do not remove the protective outer tape at this stage.



Do not remove the protection film at this stage

6.

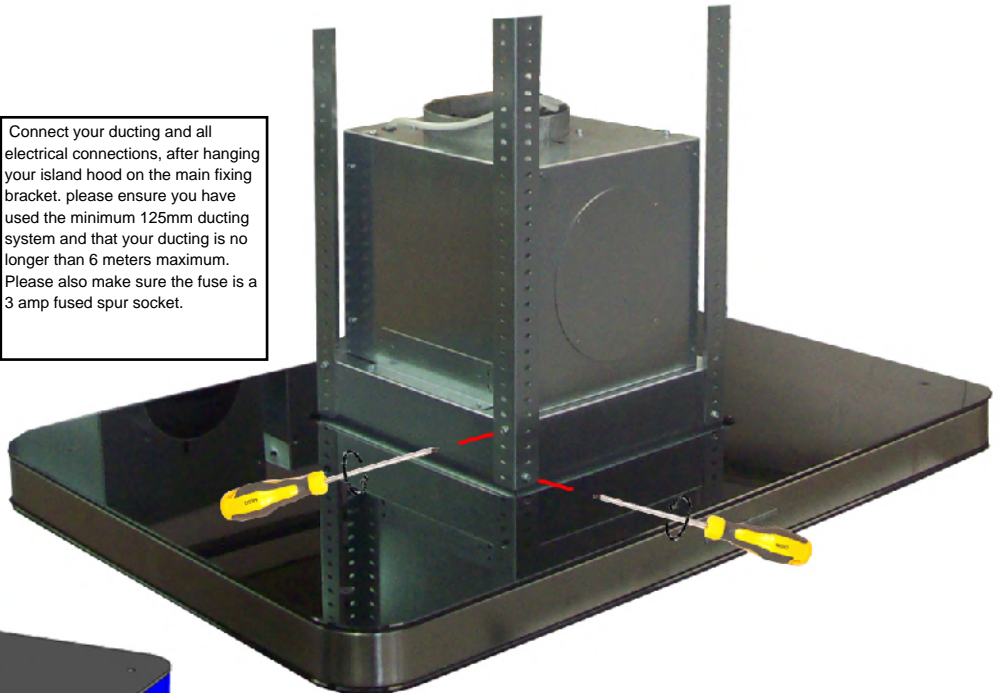
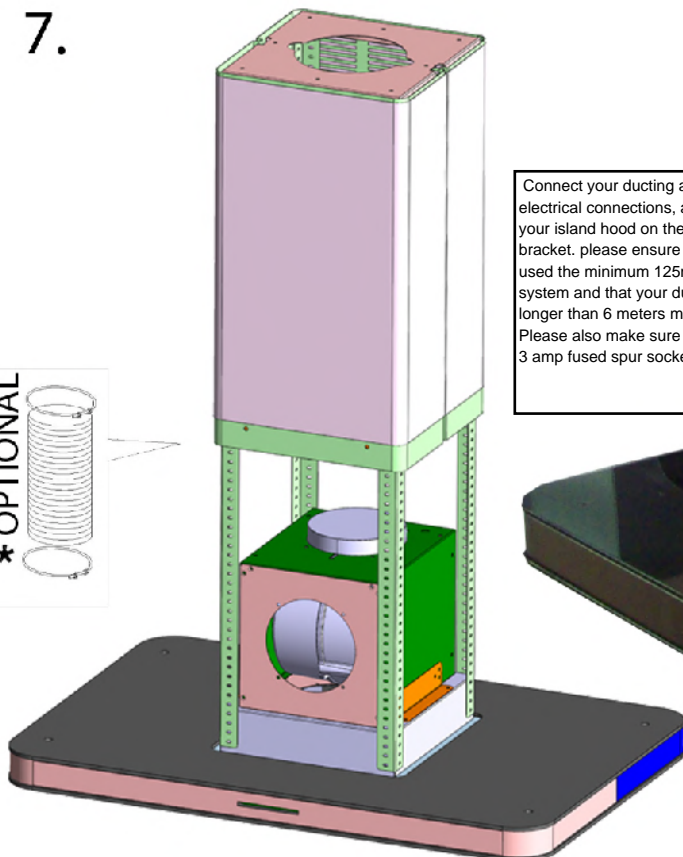
Slide the top and bottom sections up to the top of your sub frame and hold in place using the two screws as below



7.

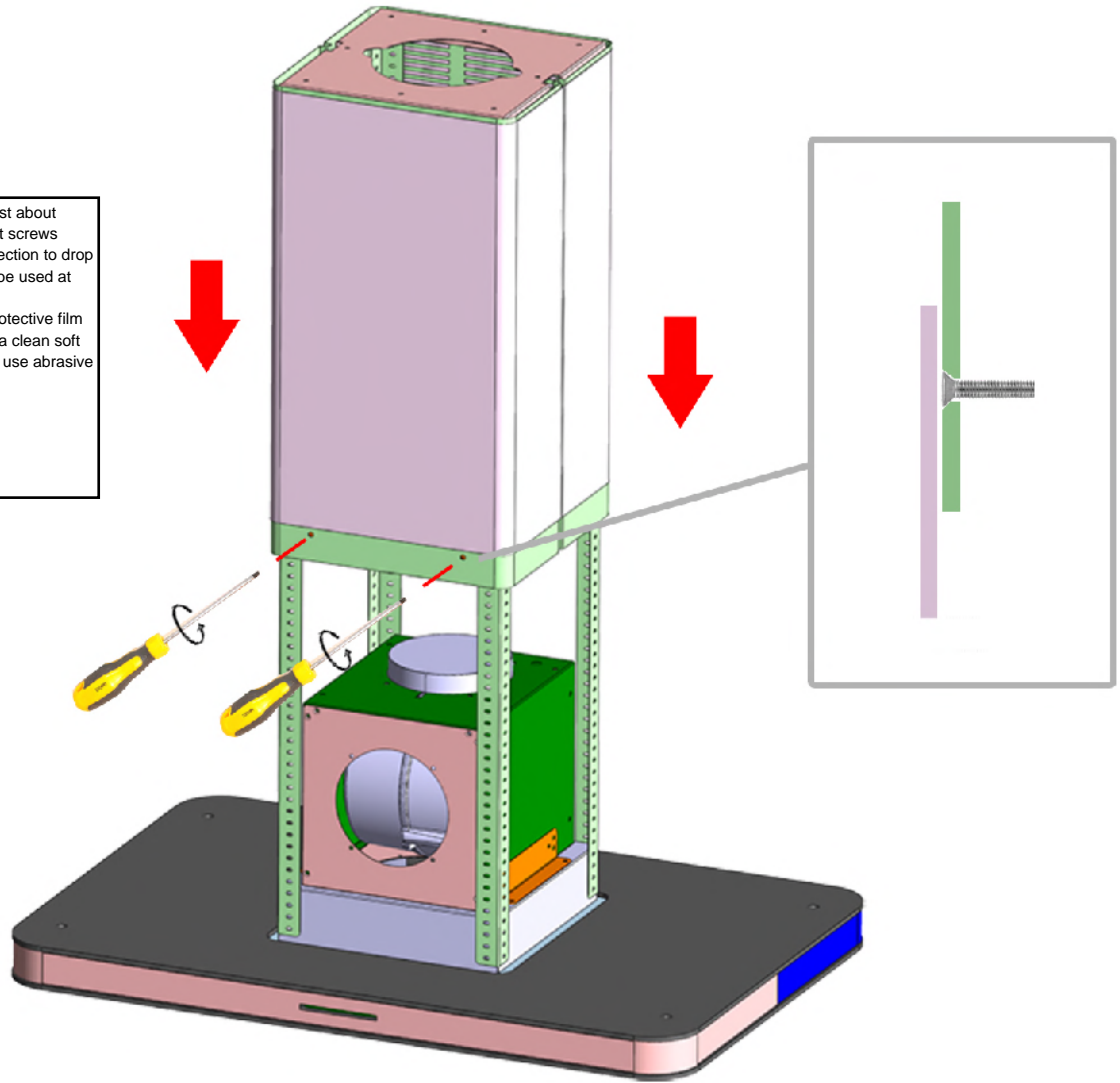
Now secure your bottom sub frame to your main hood body

Connect your ducting and all electrical connections, after hanging your island hood on the main fixing bracket. please ensure you have used the minimum 125mm ducting system and that your ducting is no longer than 6 meters maximum. Please also make sure the fuse is a 3 amp fused spur socket.

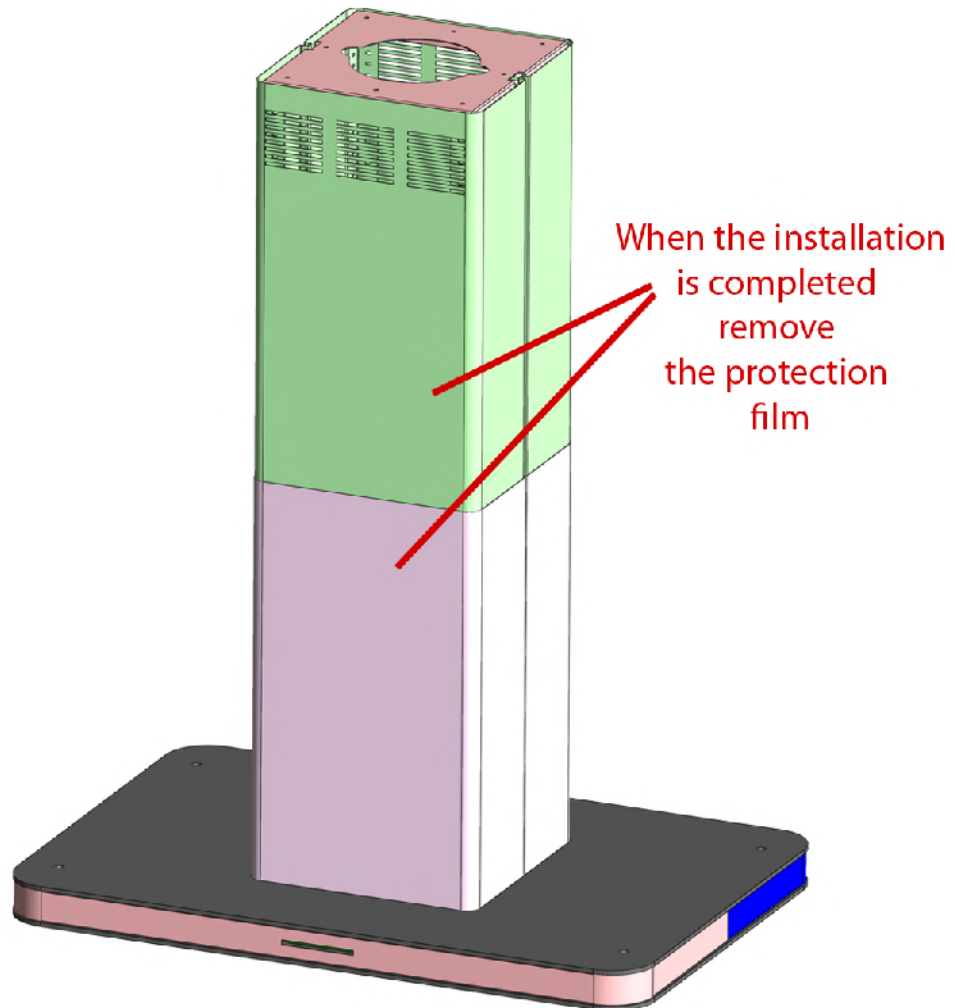


8.

Now your new cooker hood is just about finished, remove the two support screws carefully and allow the bottom section to drop down into position, care should be used at this point.
Now remove the outer plastic protective film and clean your new hood using a clean soft cloth with a little baby oil, do not use abrasive cleaning materials.



9.



WWW.LUXAIRHOODS.COM