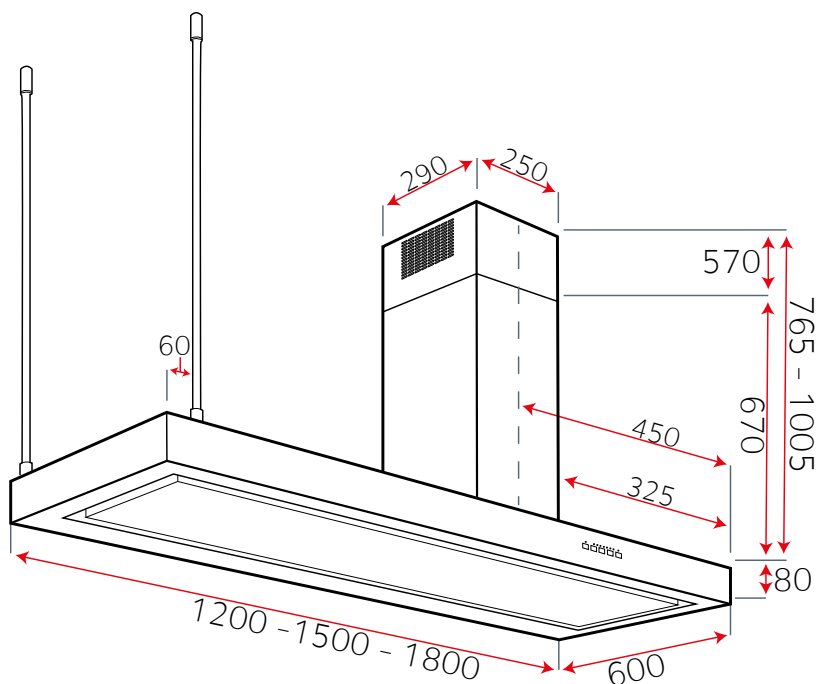


LA-AREZZO ISLAND

RIGHT HAND CHIMNEY



Charcoal Filters

Square 9

Fuse Type

3 amp

Duct Size (6m Max Length) Remote Control

150mm Minimum Round or N/A
Rectangular Equivalent

Metal Grease Filters

All Models x3 317x313

You must measure your mesh grill size. Older models will have different sizes to current models

Warranty

7 Years Parts & Labour
(Subject To Registration)

EEL Rating

A

Lighting

120cm - 3x LED Spot 1.2w 4000° Kelvin
150cm - 4x LED Spot 1.2w 4000° Kelvin
180cm - 5x LED Spot 1.2w 4000° Kelvin

Motor

850m³/hr

Switch Type

N/A

Extraction Rate
(Unrestricted)

Speed 1
316m³/hr

Speed 2
438m³/hr

Speed 3
559m³/hr

Speed 4
807m³/hr

Noise Levels DB/A

49 DB

57 DB

63DB

69DB

Box Dimensions (CM) & Weight

LA-120-AREZZO-ISL
LA-150-AREZZO-ISL
LA-180-AREZZO-ISL

Box Dims
131x82x57
161x82x57
191x82x57

Net Weight
41Kg
45Kg
50Kg

Gross Weight
53Kg
58Kg
63Kg