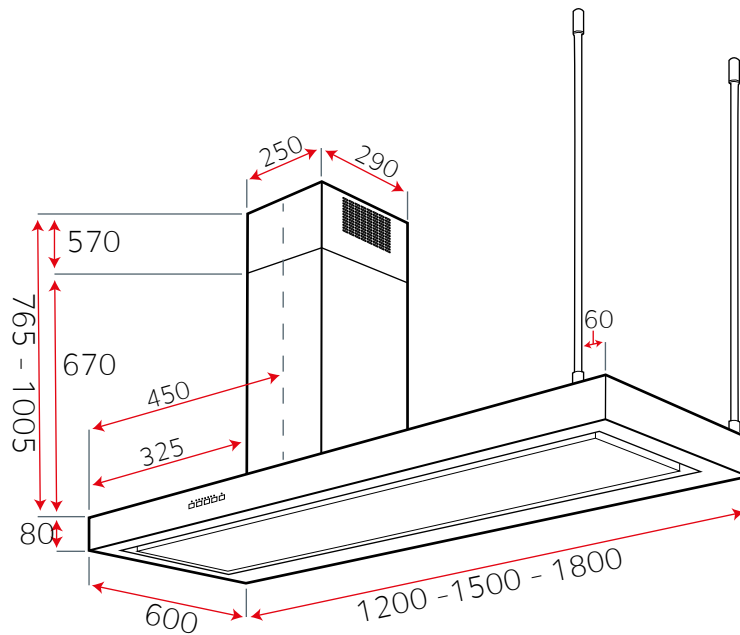


# LA-AREZZO ISLAND

## LEFT HAND CHIMNEY



### Charcoal Filters

Square 9

### Fuse Type

3 amp

### Duct Size (6m Max Length) Remote Control

150mm Minimum Round or N/A  
Rectangular Equivalent

### Metal Grease Filters

All Models x3 317x313

\*You must measure your mesh grill size. Older models will have different sizes to current models\*

### Warranty

7 Years Parts & Labour  
(Subject To Registration)

### EEL Rating

A

### Lighting

120cm - 3x LED Spot 1.2w 4000° Kelvin  
150cm - 4x LED Spot 1.2w 4000° Kelvin  
180cm - 5x LED Spot 1.2w 4000° Kelvin

### Motor

850m<sup>3</sup>/hr

### Switch Type

N/A

Extraction Rate (Unrestricted)	Speed 1	Speed 2	Speed 3	Speed 4
	316m <sup>3</sup> /hr	438m <sup>3</sup> /hr	559m <sup>3</sup> /hr	807m <sup>3</sup> /hr
Noise Levels DB/A	49 DB	57 DB	63DB	69DB

### Box Dimensions (CM) & Weight

	Box Dims	Net Weight	Gross Weight
LA-120-AREZZO-ISL	131x82x57	41Kg	53Kg
LA-150-AREZZO-ISL	161x82x57	45Kg	58Kg
LA-180-AREZZO-ISL	191x82x57	50Kg	63Kg