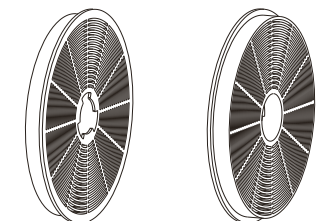


Please note this hood must be installed on 150mm

Spare Motor 1000 m³/hr
- 'A' Rated Energy Efficient
- Fits All Models



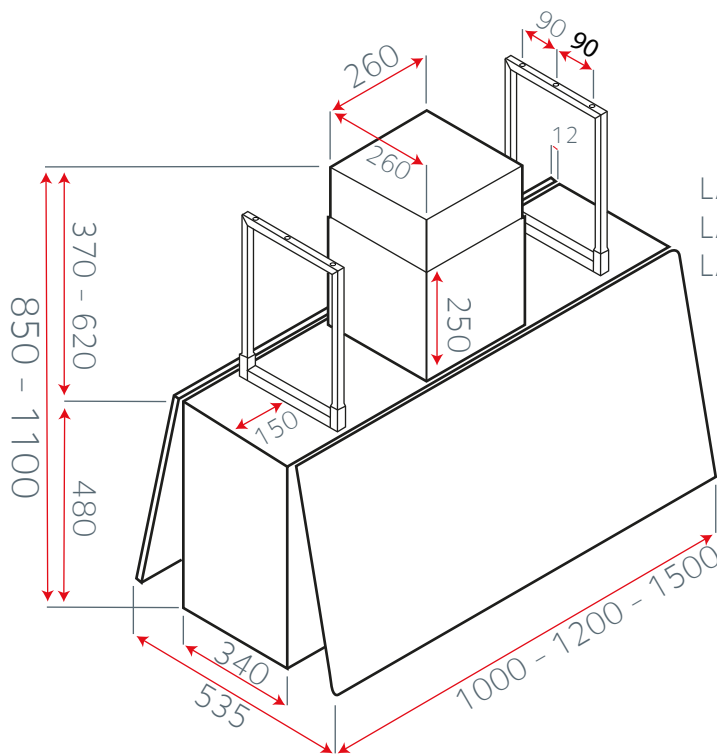
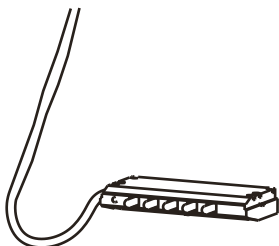
2x Charcoal Filter 5

(2 Filters Per Pack, 1 either side of Motor)

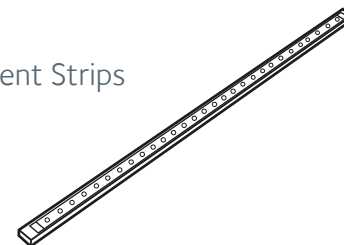
LA-100-Angelo-ISL - Energy Rating D
LA-120-Angelo-ISL - Energy Rating C
LA-150-Angelo-ISL - Energy Rating C

Replacement Switch
- Electronic Control

Please contact Luxair for further information

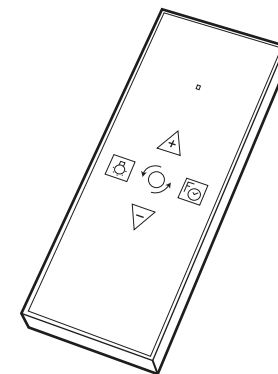


Fluorescent Strips



LA-100-Angelo-ISL - 2x24W+2x36W LED Lights
LA-120-Angelo-ISL - 2x24W+1x21W LED Lights
LA-150-Angelo-ISL - 2x24W+1x28W LED Lights

Remote Control



Mesh Grills (current Models)

LA-Angelo - 100cm - 150cm x4 - 6x - 250x310

Please note you must measure your mesh grill size. Older models will have different sizes to current models
tt

