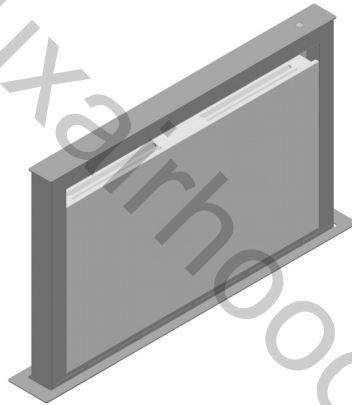


Installation and use instruction



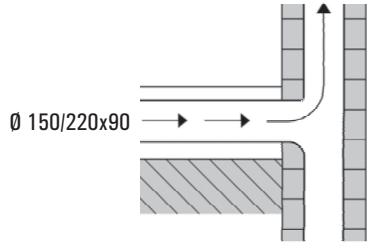
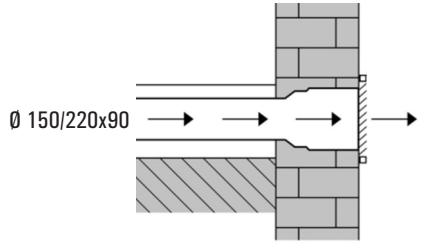
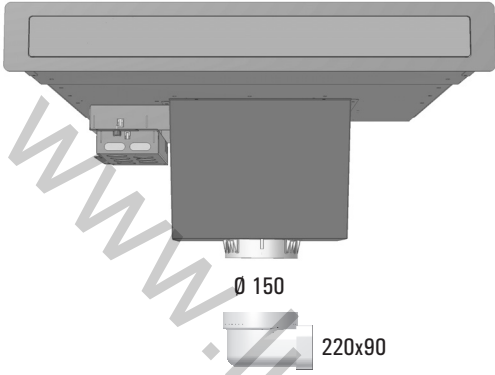
LA-90-DWN



LUXAIR
EXTRACTION WITH ATTRACTION

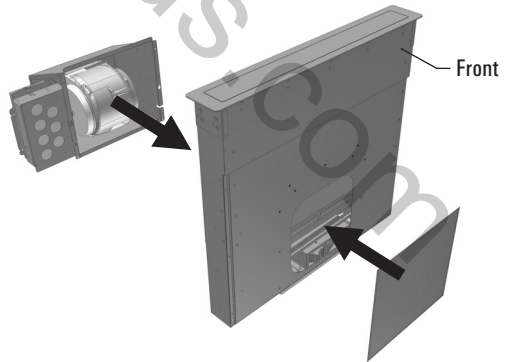
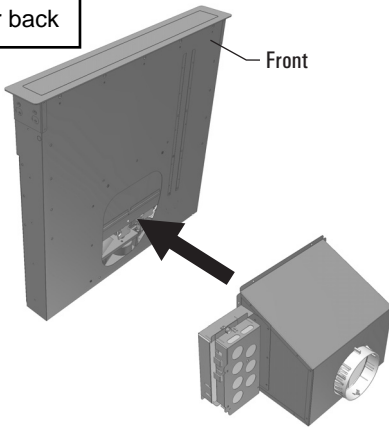
please note:
Worktop cut out is
738mm x 100mm

www.luxairhoods.com

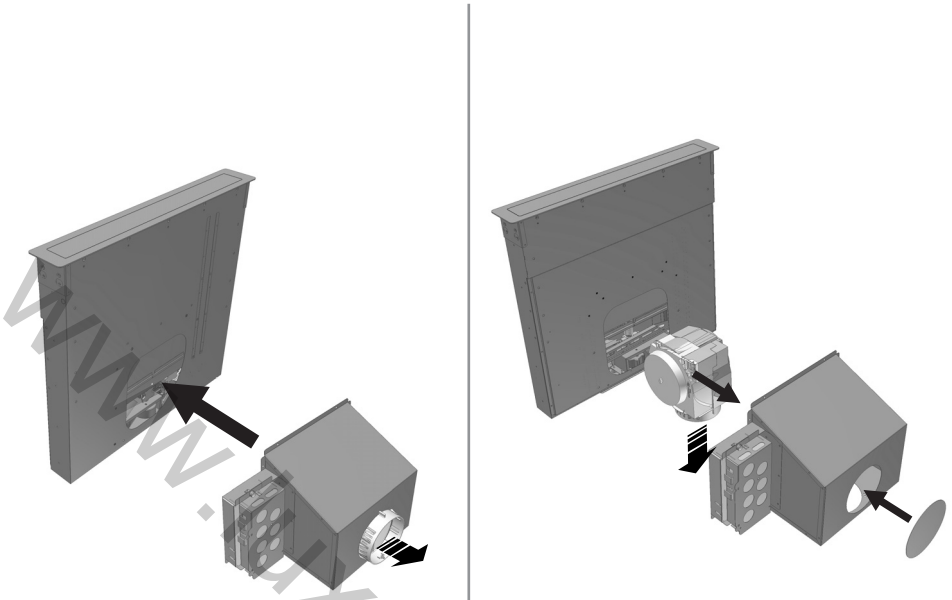


M 1

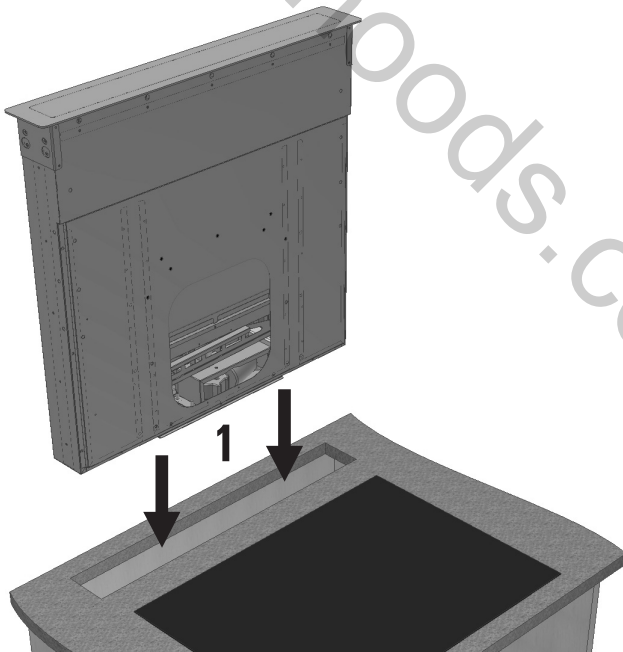
Motor can be fitted to the front or back



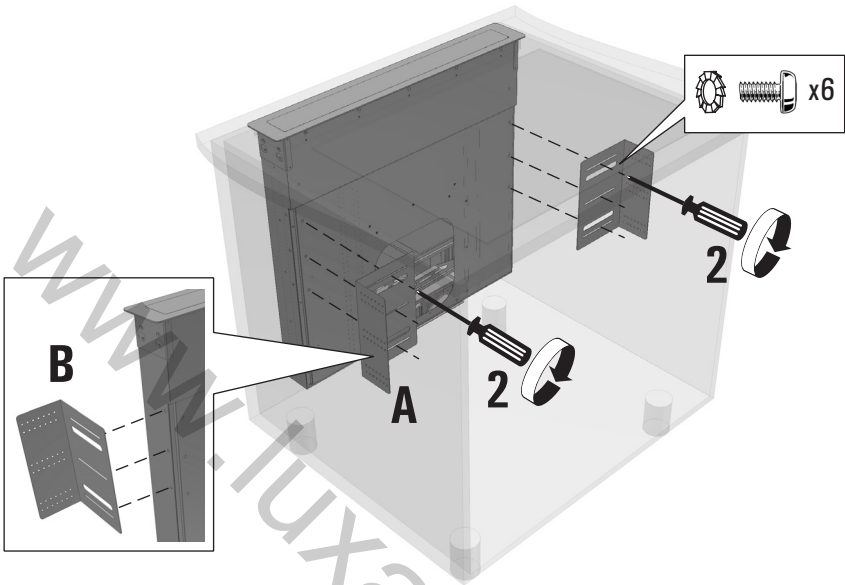
M 2



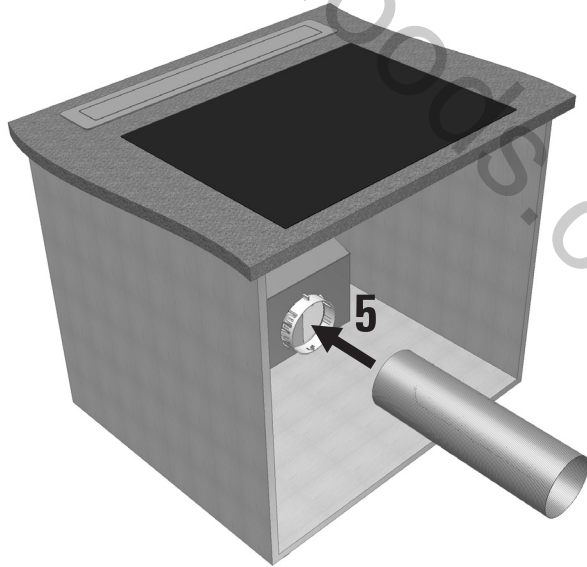
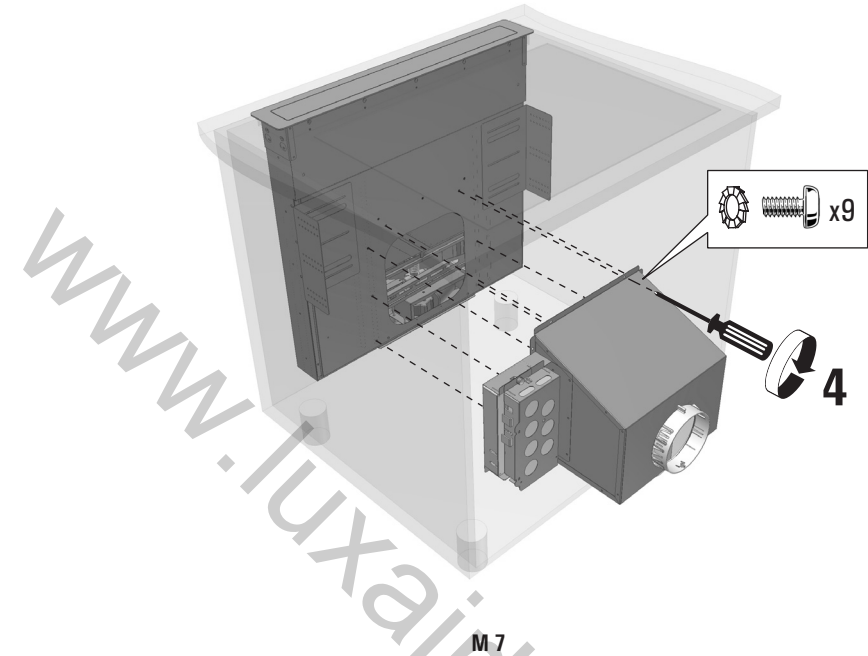
M 3

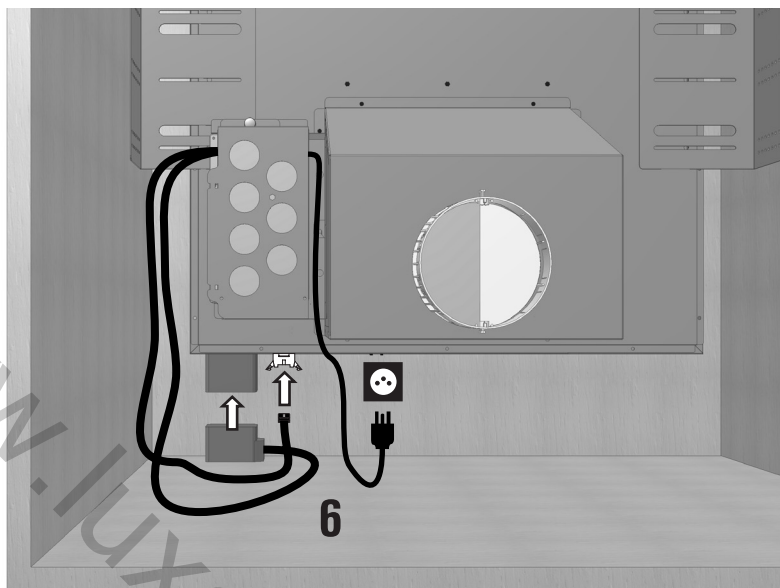


M 4

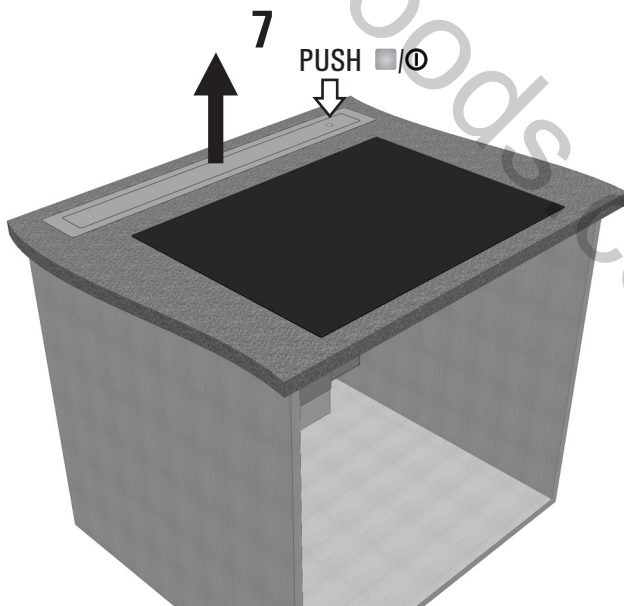


M 6

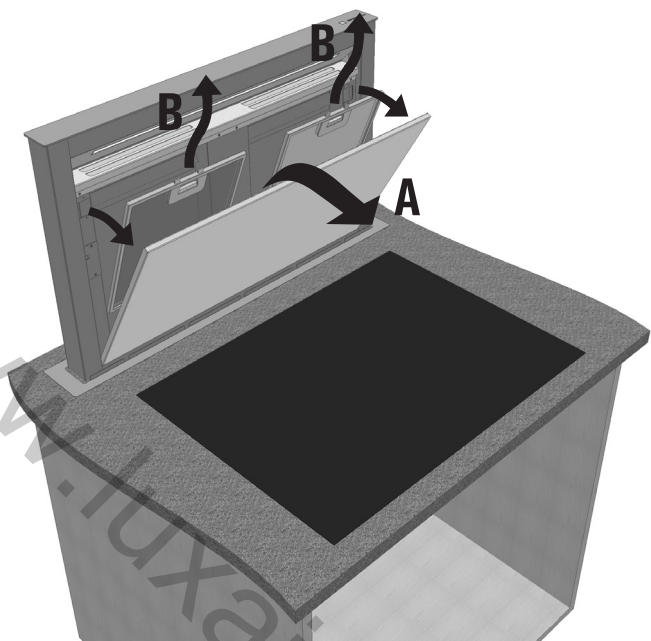




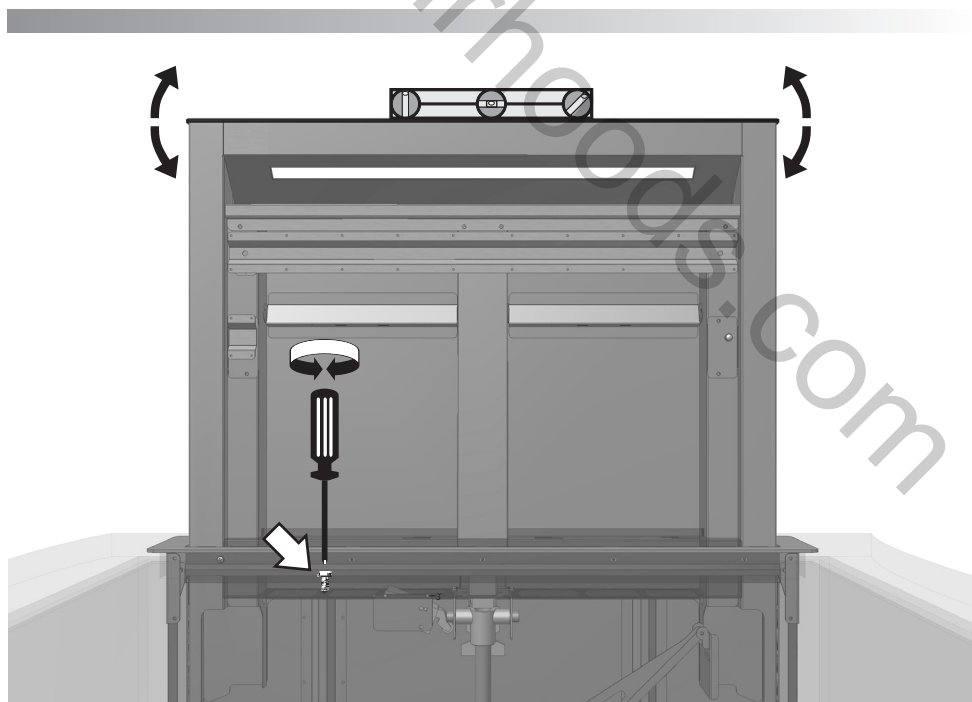
M 9



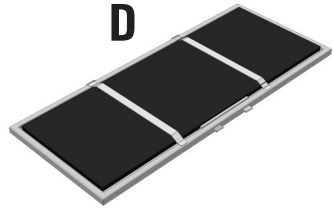
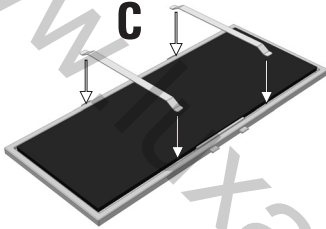
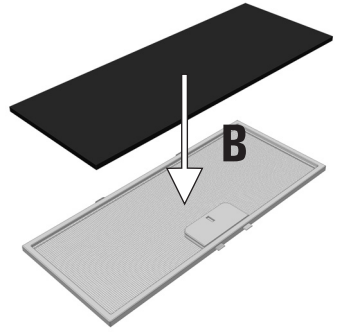
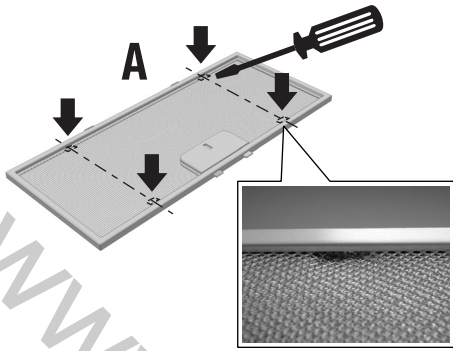
M 10



M 11








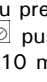
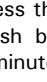
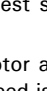



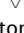
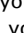
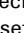
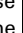


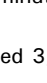
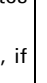




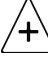
M 12





C 1

www.xaiinhoods.com



FUNCTIONS OF THE DOWNDRAFT COOKER HOOD


FUNCTION	CONTROL	REMOTE CONTROL
<p>IF THE DRAWER IS CLOSED: If you press the push button for less than 3 seconds, the drawer opens till it is completely out (limit stop).</p> <p>If you press the push button for more than 3 seconds, you enter into a CLEANING MODE and an acoustic signal is issued each 10 seconds. During this CLEANING MODE it is not possible to open the drawer. Keeping pressed the push button for more than 3 seconds you leave the CLEANING MODE.</p> <p>IF THE DRAWER IS OPEN: If you press the push button, the drawer will close completely (limit stop) under the condition that the grease filters are mounted in a correct way.</p> <p>⚠ If the drawer is not moving after you press the push button and 5 acoustic signals are issued, it means that the grease filter is not completely inserted. Please insert the grease filter in a correct way and then press again the push button.</p> <p>⚠ If the drawer is encountering obstacles when opening or closing, the motor stops. 4 or 2 acoustic signals are issued. Please press again the push button  to restart the moving of the drawer.</p>	 	
<p>This push button stops the motor if the motor is on.</p> <p>⚠ With the optional remote control, each time you press the push button  you decrease the motor speed till it completely stops.</p>	 	
<p>If the push button is switched on, it shows that the motor is running at that speed. The motor can work only if the filters and side suction panel are correctly mounted.</p> <p>If you press the push button of the speed when the motor is off, then you activate the motor at that speed.</p> <p>If you press the push button of the speed when the motor is already running at that speed, you set the TIMER FUNCTION and the light of the push button becomes flashing and after 10 minutes the motor stops in an automatic way.</p> <p>⚠ With the optional remote control each time you press  you increase the motor speed and each time you press the  you decrease the motor speed till it stops. With the  push button you set the TIMER function and the motor stops after 10 minutes in an automatic way.</p>	  S = 1   S = 2   S = 3	 
<p>The intensive speed is selected and the light of the  push button will be flashing. The motor is set at the highest speed for 10 minutes after which it goes back to speed 2.</p> <p>With the optional remote control and with motor already on speed 3, if you press the  push button the intensive speed is selected.</p>	 	



If the hood is with light, these push buttons are switching the light on and off.

When the light is on, the   push button has got light on the back.



GREASE FILTER SATURATION ALARM: After ca 100 working hours of the motor, a periodical acoustic signal is issued to inform that it is time to clean the grease filters and the   push button starts flashing. The grease filters need to be immediately cleaned and you have to reset the counter as follows.

HOW TO RESET THE COUNTER: When motor is off, press twice in succession on the  push button; to confirm that reset has been made an acoustic signal is issued.

 With the optional remote control press the  push button.



www.luxairhoods.com

www.luxairhoods.com