

Charcoal Filters

N/A

Warranty

7 Years (Parts & Labour)

Lighting

1x 34w LED Panel 4000° Kelvin

Fuse Type

3 amp

EEl Rating

A

Motor

1400m³/hr

Duct Size (6m Max Length)

150mm Minimum Round or Rectangular Equivalent

Remote Control

Yes

Metal Grease Filters

LA-60-Tolvi-SM x1 428x450

Switch Type

N/A

You must measure your mesh grill size. Older models will have different sizes to current models

Box Dimensions (CM) & Weight

LA-60-TOLVI-EXT 76x60x40 15Kg
External Motor 20Kg

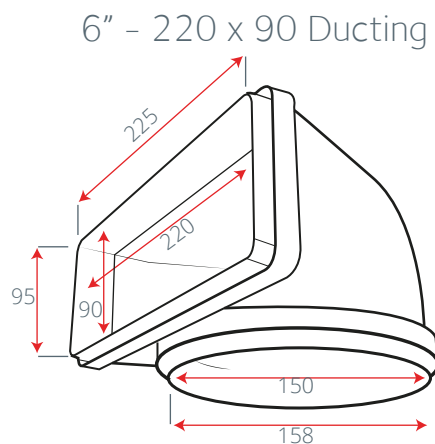
**Extraction Rate
(Unrestricted)**

Speed 1
371m³/hr

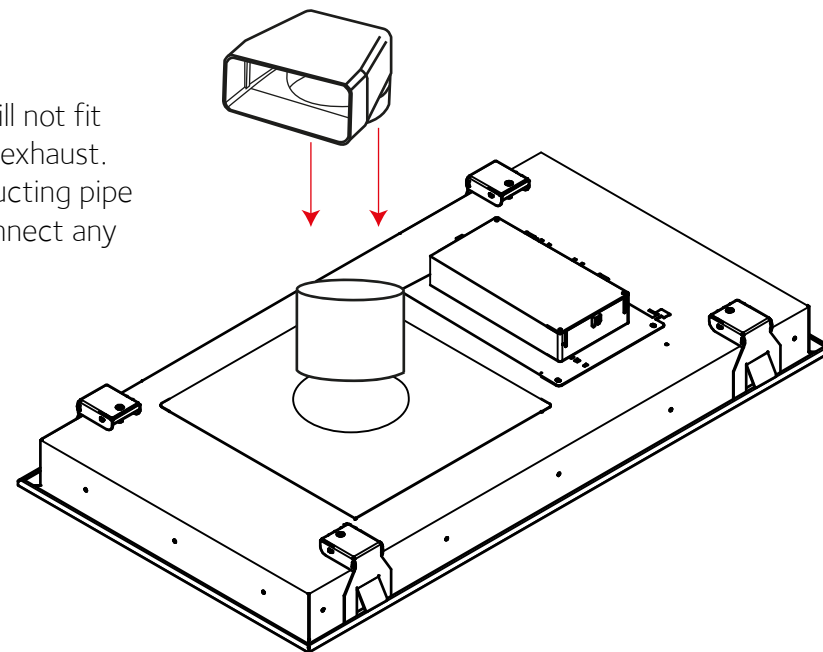
Speed 2
588m³/hr

Speed 3
641m³/hr

Speed 4
1033m³/hr



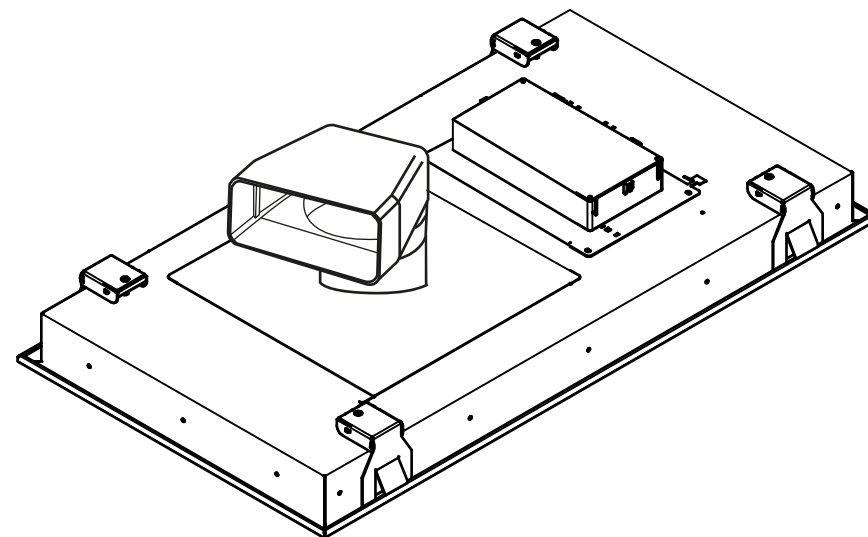
Please note adapters will not fit directly on to the motor exhaust. A small piece of round ducting pipe must be used first to connect any adapters

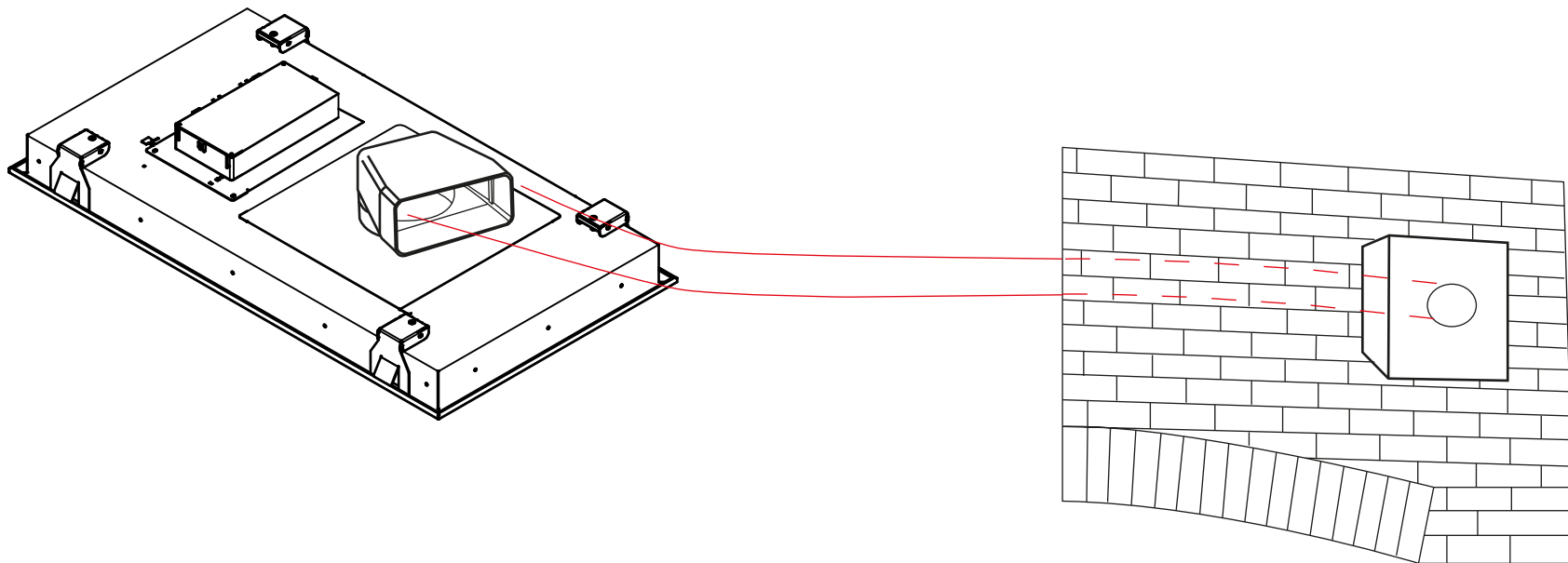


Ducting - Our external motor is designed with a round ducting system vent. Adapters will not fit directly on to the motor exhaust.

Our rectangular ducting is 220mm x 90mm

Please remember this hood must be installed on a minimum 6" ducting. If you are using rectangular ducting, this must be a minimum of 220mm x 90mm





Wall Mounted External Motor

Pitched Roof External Motor

Flat Roof External Motor

