

### Charcoal Filters

N/A

### Warranty

7 Years (Parts & Labour)

### Lighting

1x LED Panel 34w 4000° Kelvin

### Fuse Type

3 amp

### EEl Rating

A

### Motor

1200m<sup>3</sup>/hr

### Duct Size (6m Max Length)

150mm Minimum Round or Rectangular Equivalent

### Remote Control

Yes

### Metal Grease Filters

LA-120x50-Tolvi x2 400x300

### Switch Type

N/A

\*You must measure your mesh grill size. Older models will have different sizes to current models\*

### Box Dimensions (CM) & Weight

LA-120x50-TOLVI 144x58x55 22Kg  
External Motor 20Kg

**Extraction Rate  
(Unrestricted)**

**Speed 1**  
371m<sup>3</sup>/hr

**Speed 2**  
588m<sup>3</sup>/hr

**Speed 3**  
641m<sup>3</sup>/hr

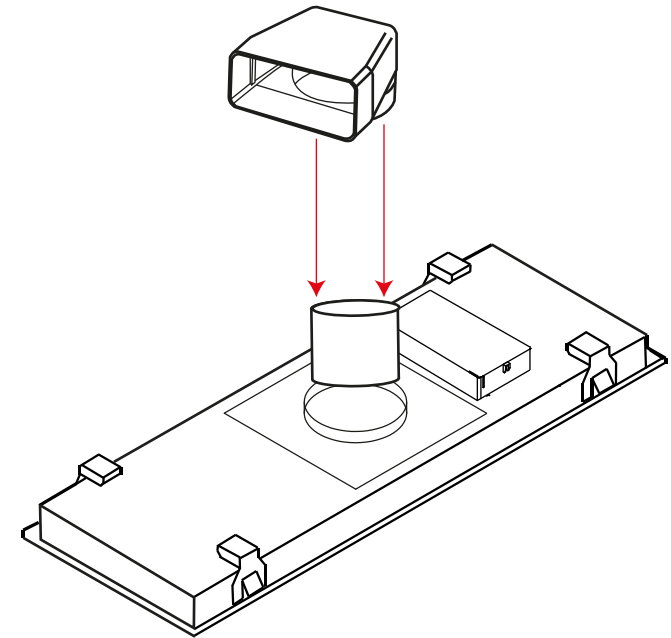
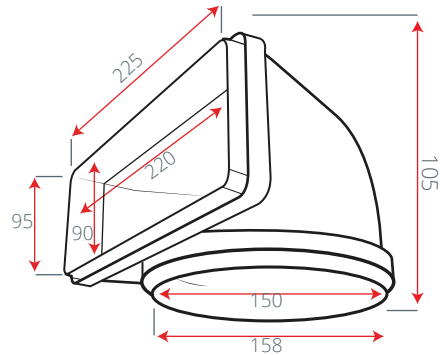
**Speed 4**  
1033m<sup>3</sup>/hr



**LUXAIR**<sup>TM</sup>  
EXTRACTION WITH ATTRACTION

# LA-120x50-Tolvi External Motor

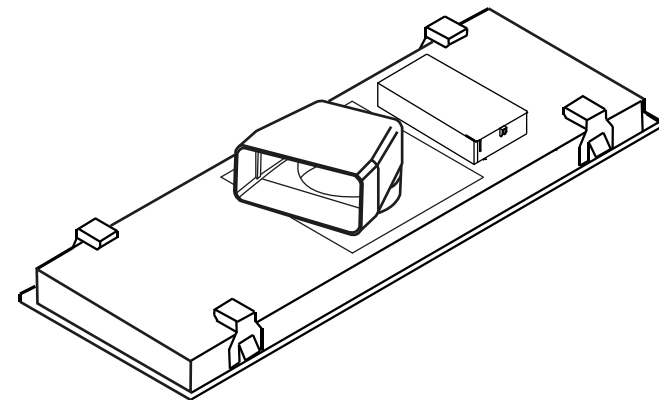
6" - 220 x 90 Ducting

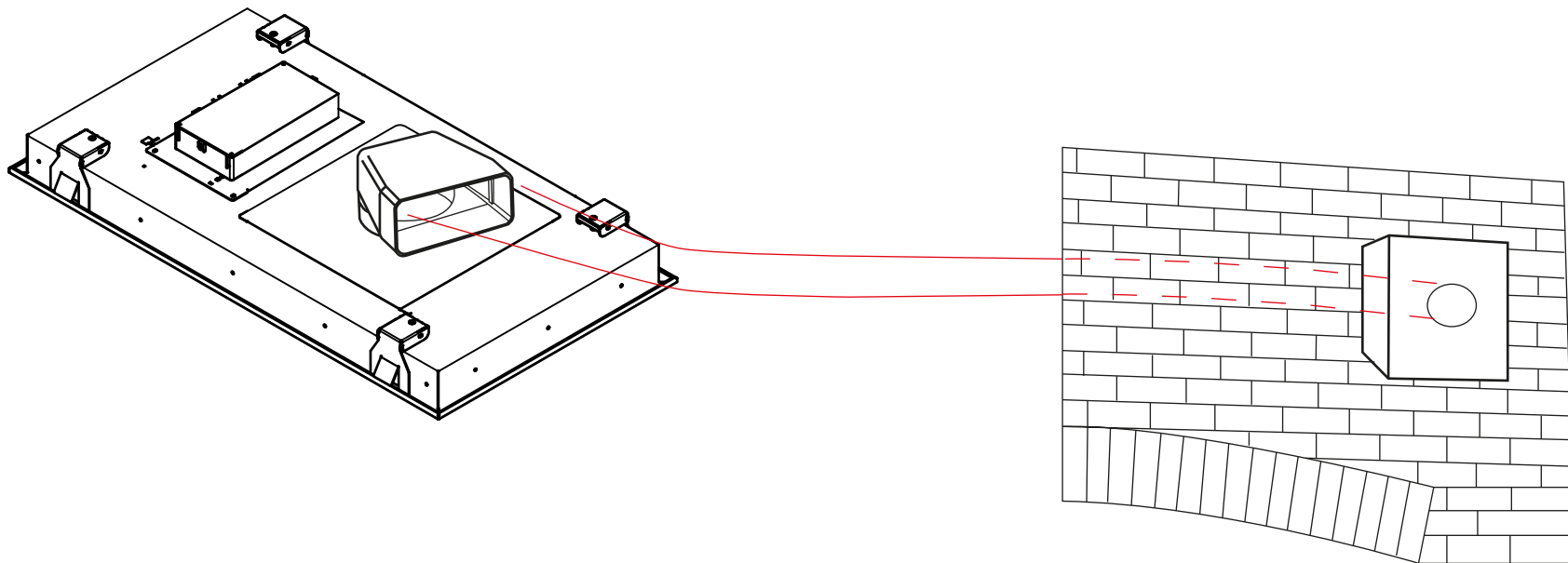


Ducting - Our external motor is designed with a round ducting system vent. Adapters will not fit directly on to the motor exhaust.

Our rectangular ducting is 220mm x 90mm

Please remember this hood must be installed on a minimum 6" ducting. If you are using rectangular ducting, this must be a minimum of 220mm x 90mm





Wall Mounted External Motor

Pitched Roof External Motor

Flat Roof External Motor

