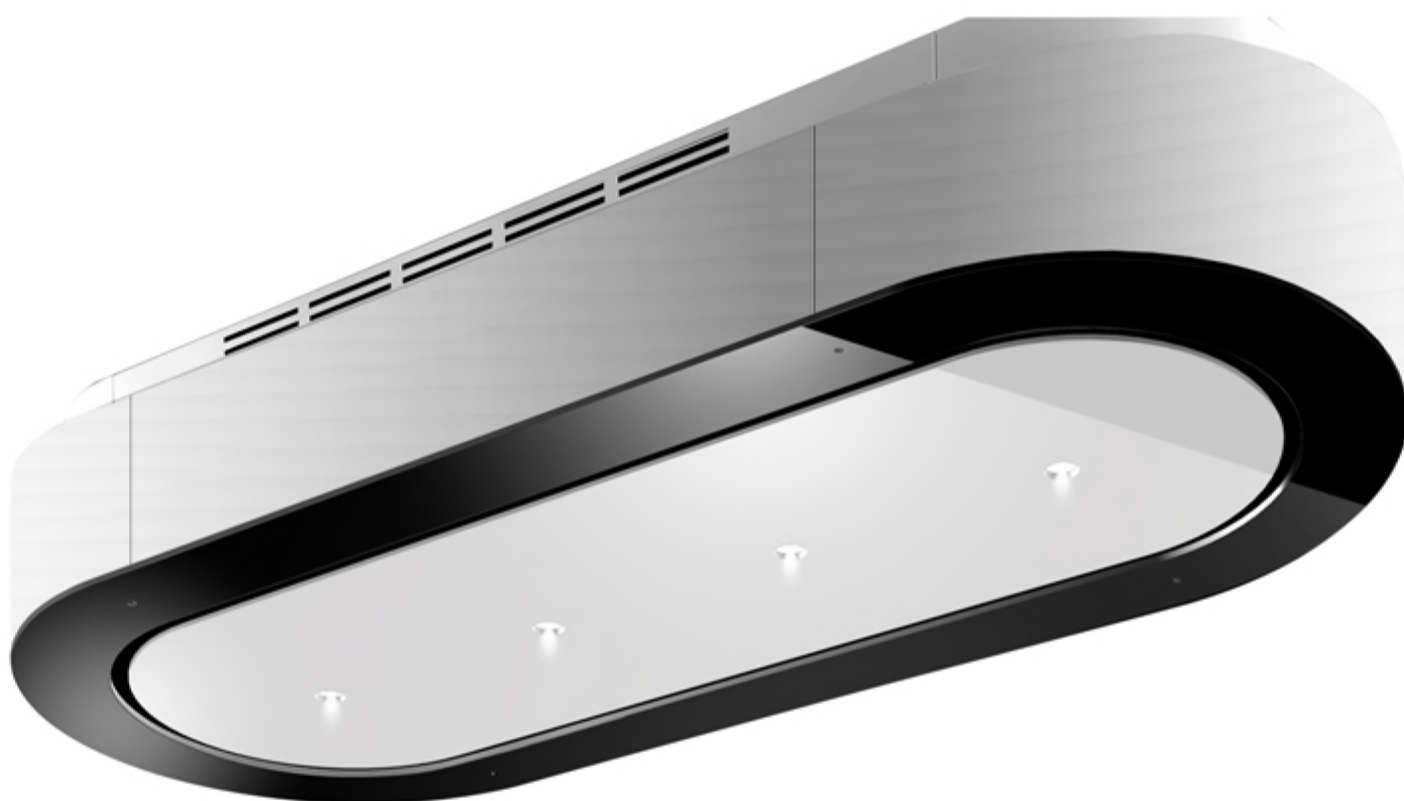


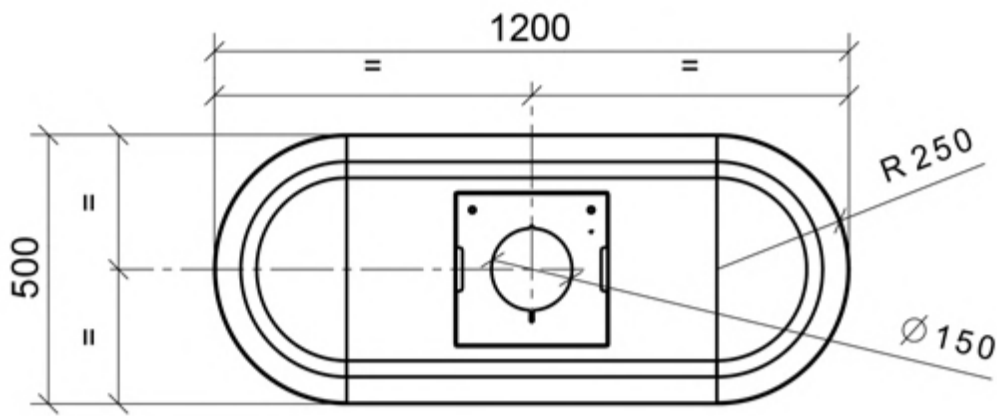


LUXAIR™  
EXTRACTION WITH ATTRACTION

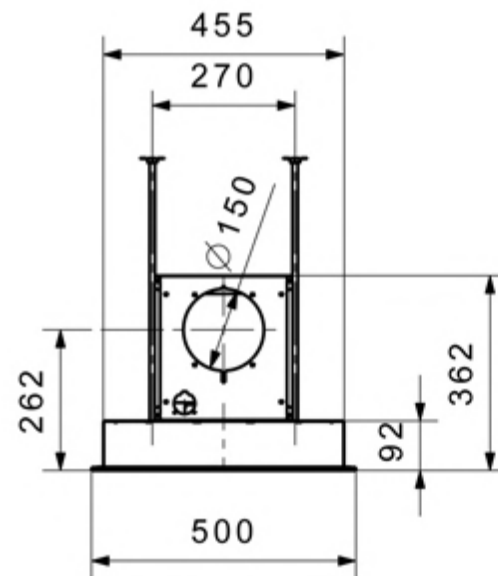
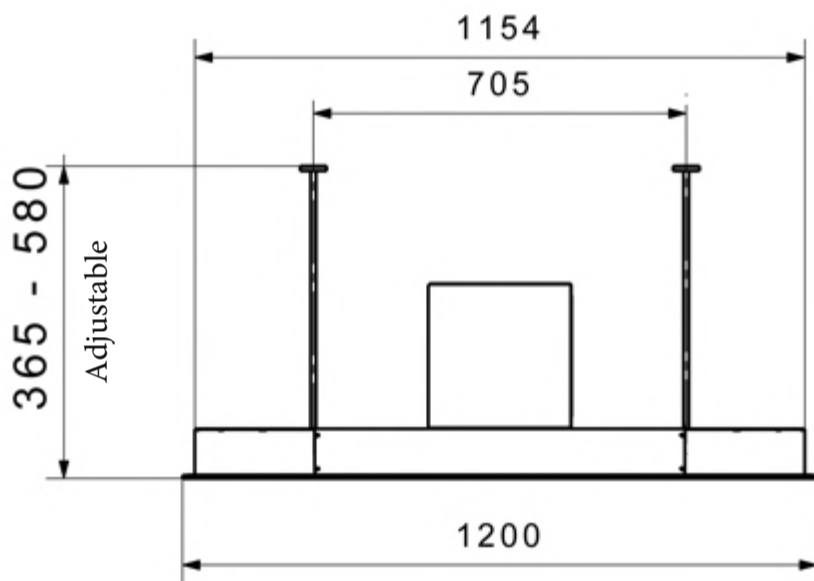
## LA-Jupiter Installation Instructions



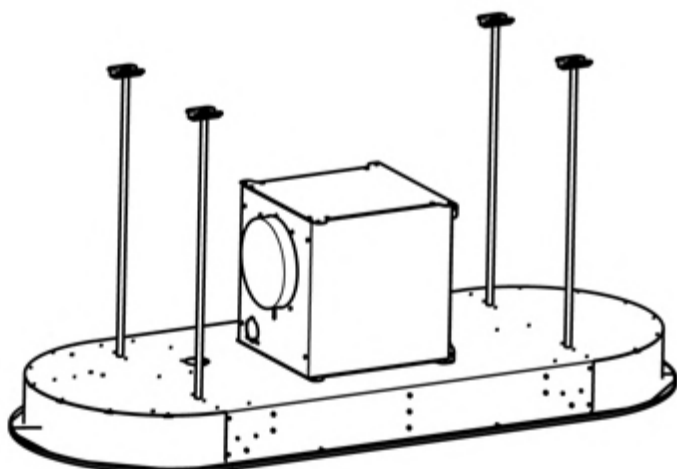
# Jupiter Built In Version



Before you begin make sure you have your installation team check that all dimensions are correct. It is advised that you seek advise on the correct fixings and the structure of you ceiling is adequate in order to support this ceiling cooker hood.

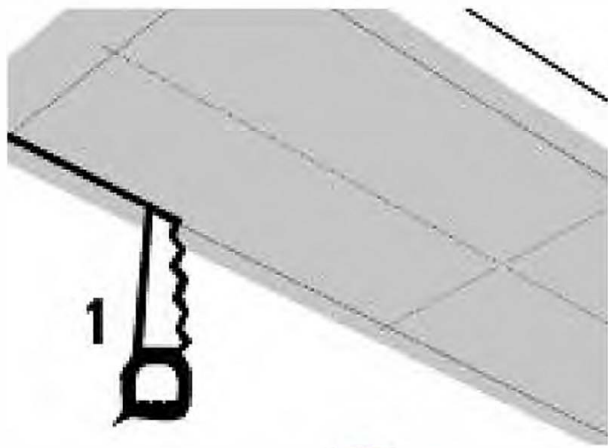


This cooker hood needs to be fitted in a lowered box section if your ceiling joists are not within the minimum and maximum restrictions. It is always advisable to check these distances first.

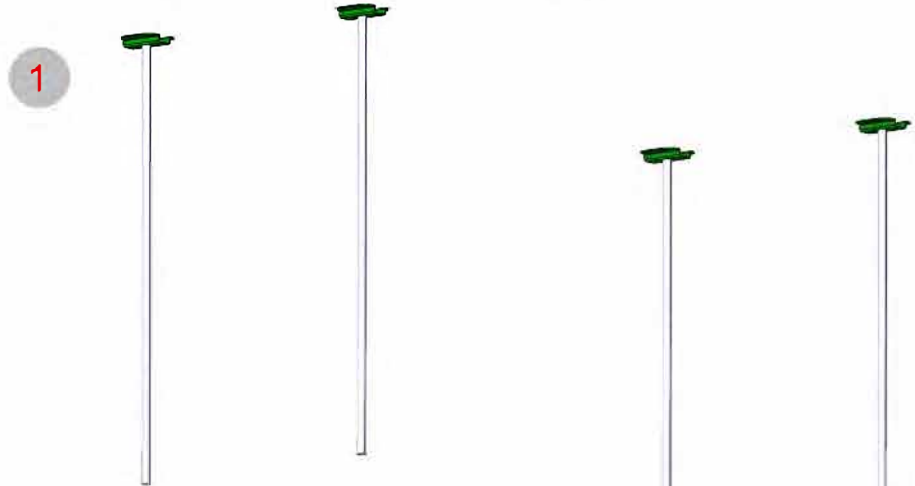


## WARNING

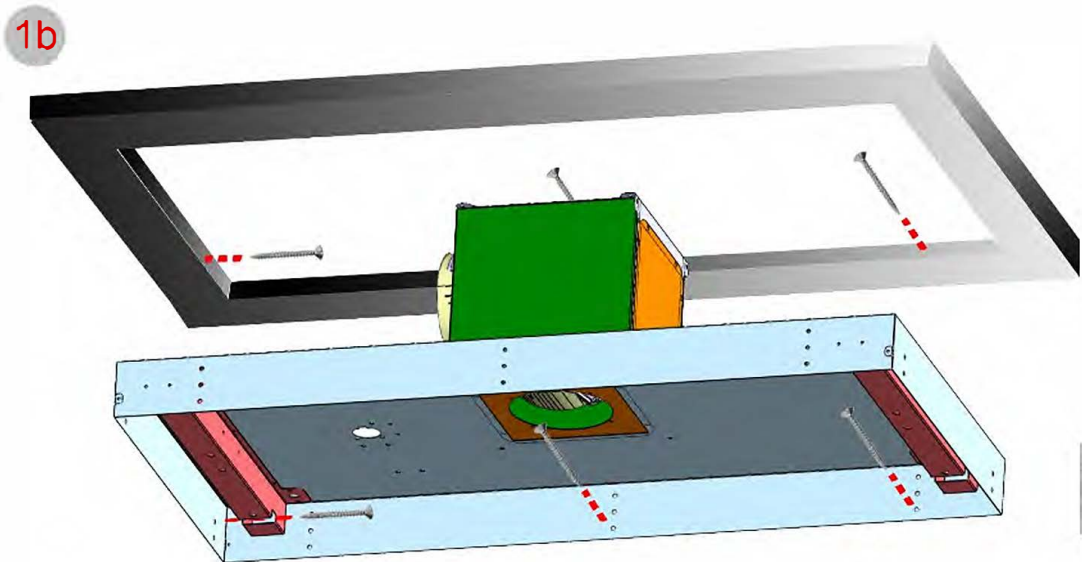
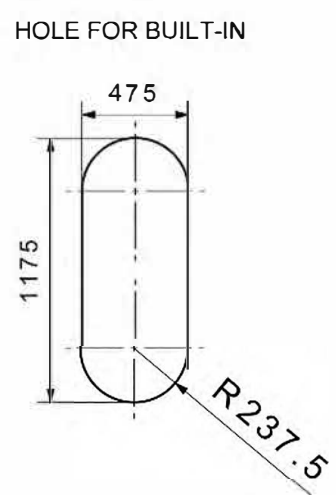
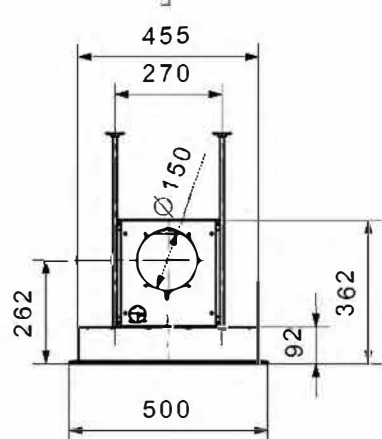
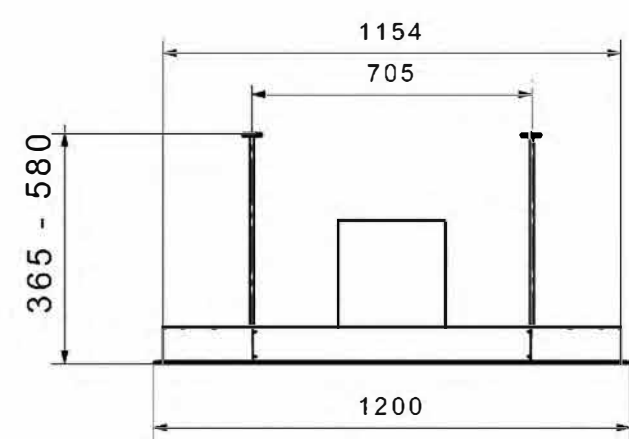
Make sure the fixings (not supplied) are adequate to support the weight of this hood.



Ensure that your ceiling cut out dimensions or lowered box section is correct and that you dry fit the hood prior to full installation takes place. Make adjustments where necessary

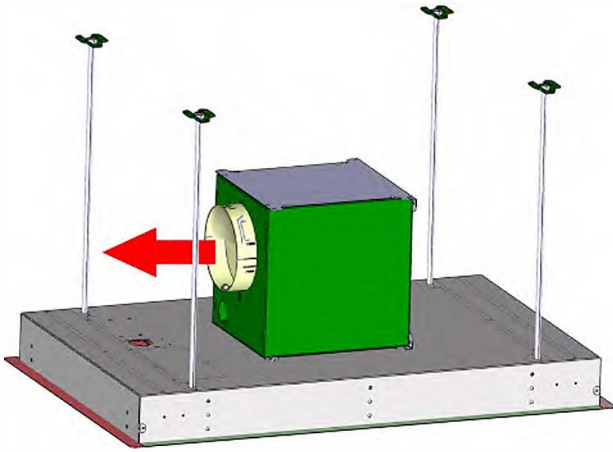


Apply to the ceiling the 4 threaded rods supplied

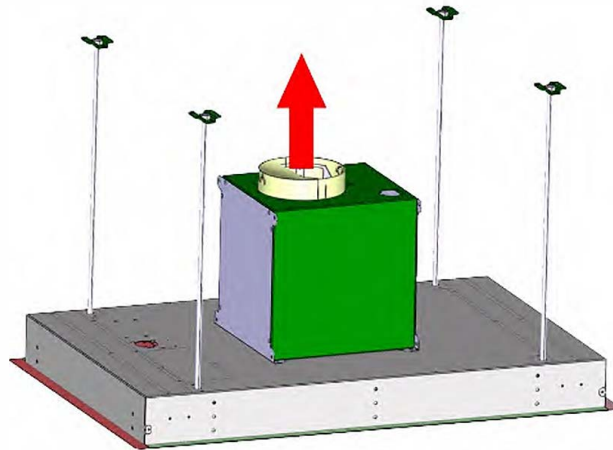


second possibility of mounting

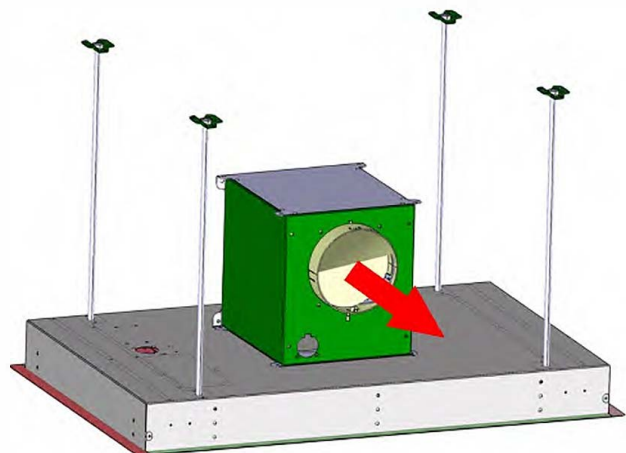
2



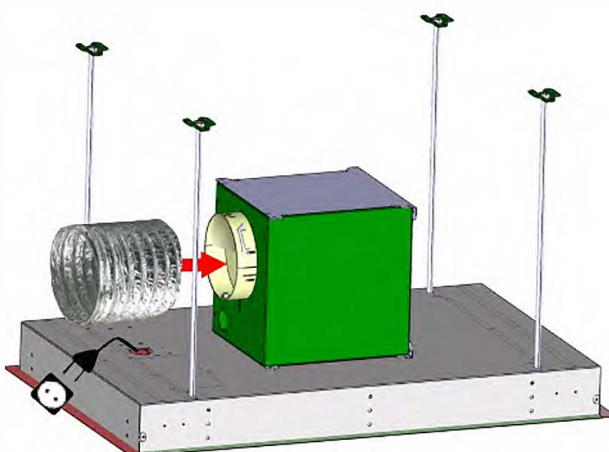
It is advisable to check the direction of your ducting system before you make good your final fix.  
The motor can be rotated



If you are rotating the motor to face upwards you will need to reconfigure the motor housing box to fit the motor.



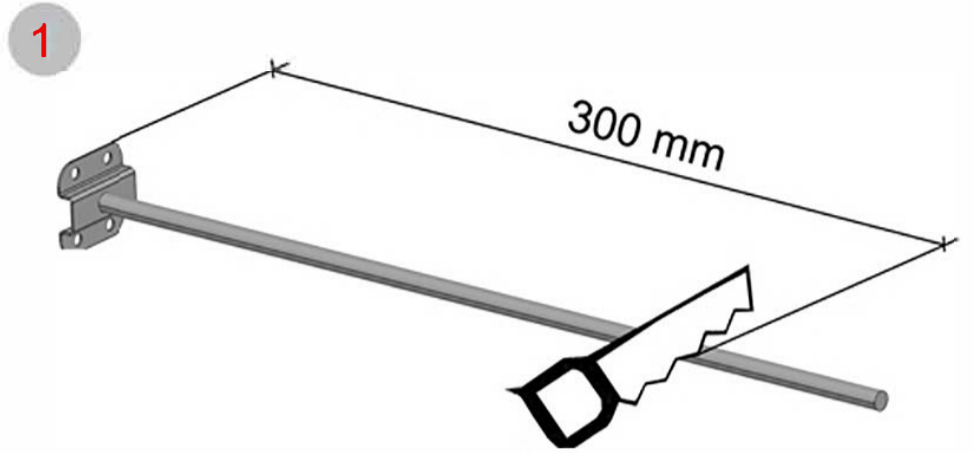
3



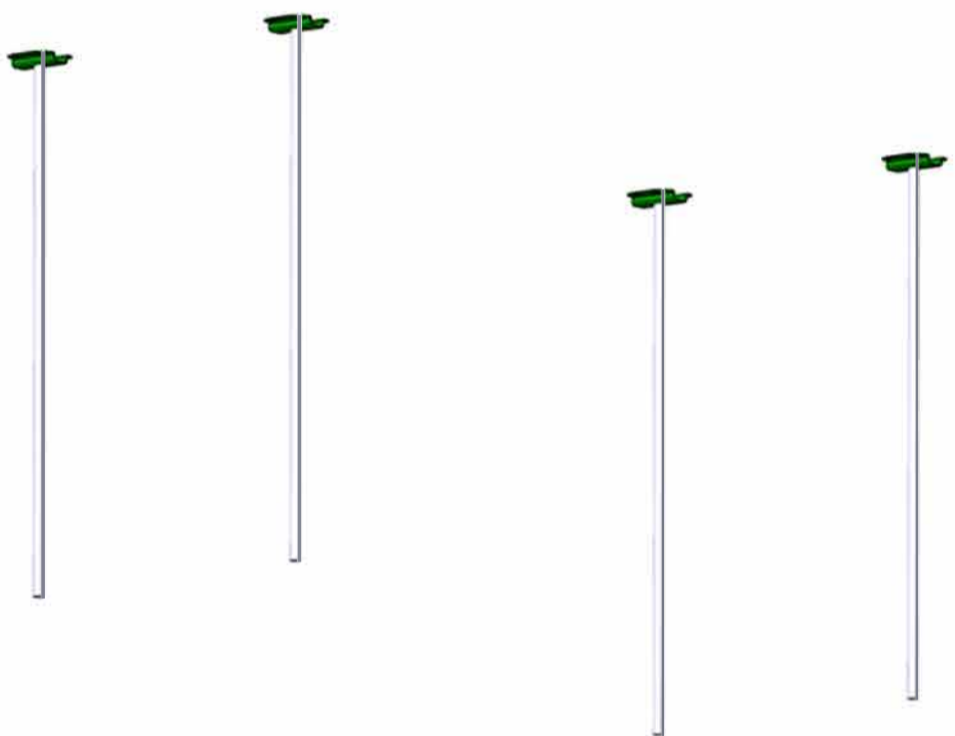
You will now need to connect the ducting system and electricity supply.



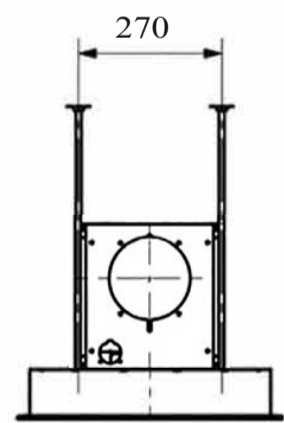
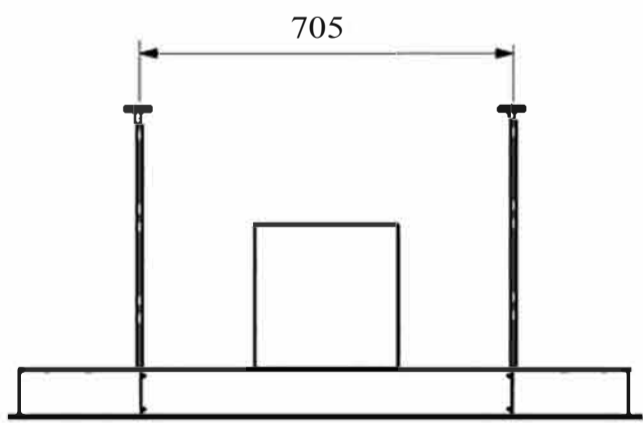
Cut the 4 threaded rods



2

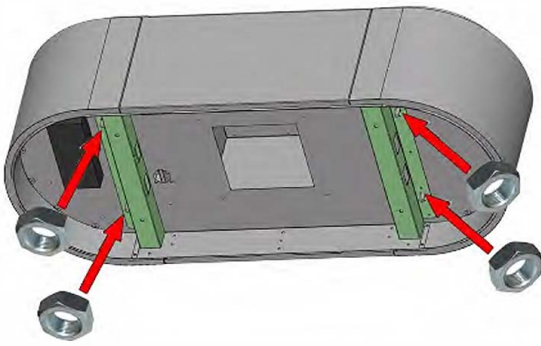


Apply to the ceiling the 4 threaded rods supplied



**WARNING**  
Make sure the fixings (not supplied) are adequate to support the weight of this hood.





Lift the hood and tighten the 4 nuts

5



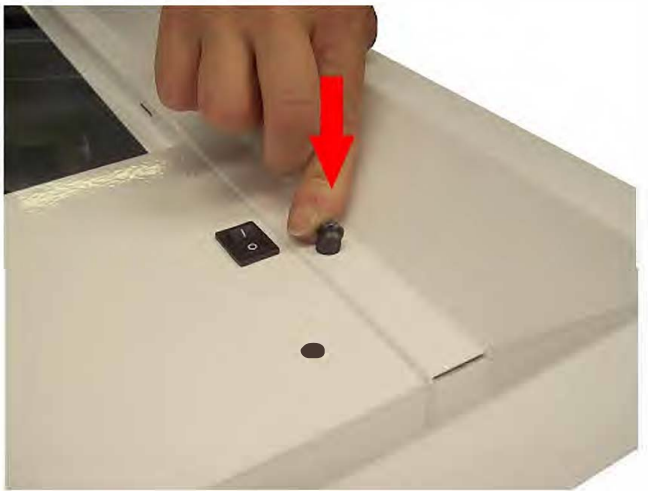
7



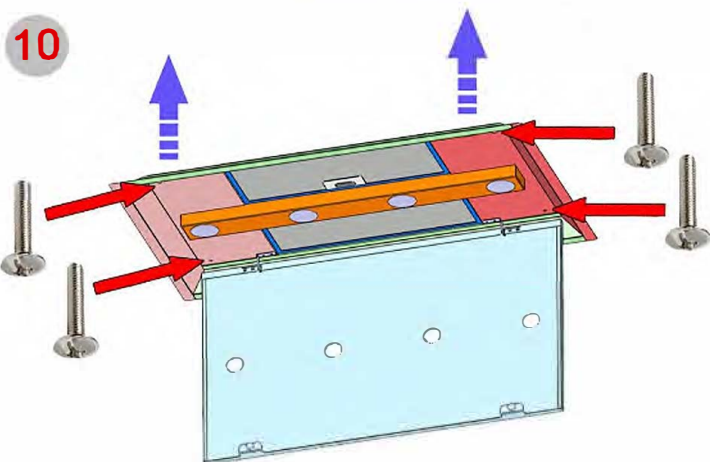
8



9



10

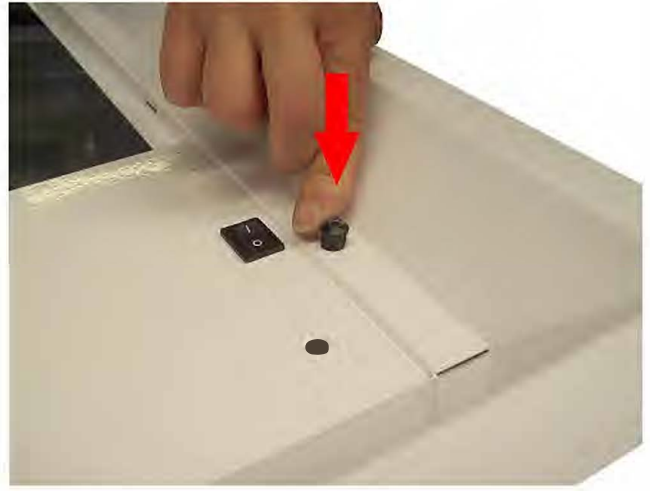


**Warning:**  
The next step is a two man job.

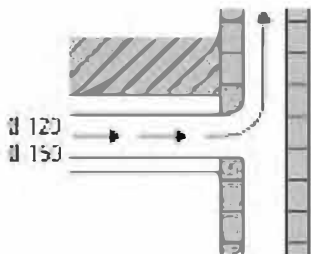
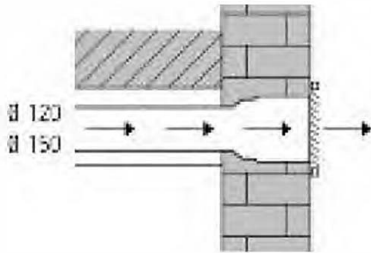
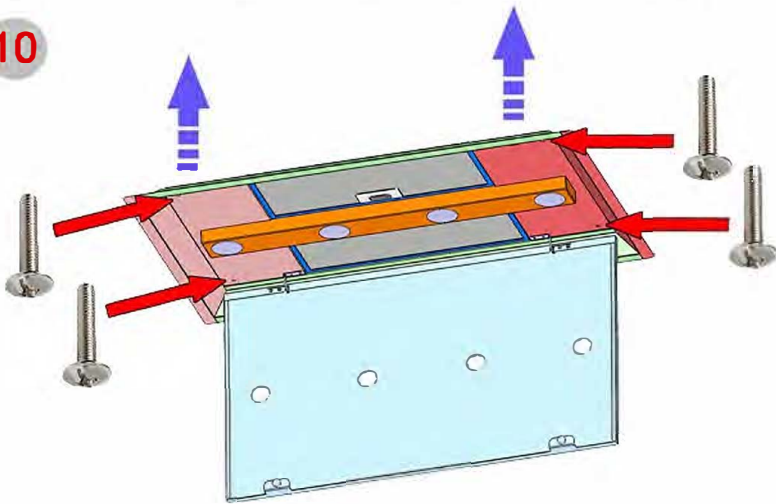
8



9



10

**Warning:**

The next step is a two man job.

**WARNING**

The ducting system for this ceiling hood in a minimum 5" (125mm) but 6" (150mm) is highly recommended to increase efficiency.

Please try to use the least number of bends and turns as possible and always take the most direct route to the outside wall.

## WARRANTY REGISTRATION FORM

Luxair products come with a 7 year warranty

For full information on the terms of the product warranty, [please click here](#).

Please only fill this form out once

Please register your warranty at [www.luxairhoods.com](http://www.luxairhoods.com)

THANK You