

Charcoal Filters
N/A

Warranty
7 Years (Parts & Labour)

Lighting
Rectangular Strip 4000° Kelvin

Fuse Type
3 amp

EEL Rating
A

Motor
1200m³/hr

Duct Size (6m Max Length)
150mm Minimum Round or
Rectangular Equivalent

Remote Control
Yes

Metal Grease Filters
LA-Caporra x2 375x250
*You must measure your mesh grill size.
Older models will have different sizes to current models*

Paint
White -RAL 9003 Glossy
Black - RAL 9004 Matt
SS - NA

	Box Dims	Net Weight	Gross Weight	External Motor Net Weight
90cm Caporra	76x60x38	17Kg	23Kg	20Kg
120cm Caporra	144x58x55	20Kg	28Kg	20Kg

Extraction Rate
(Unrestricted)

Speed 1
371m³/hr

Speed 2
588m³/hr

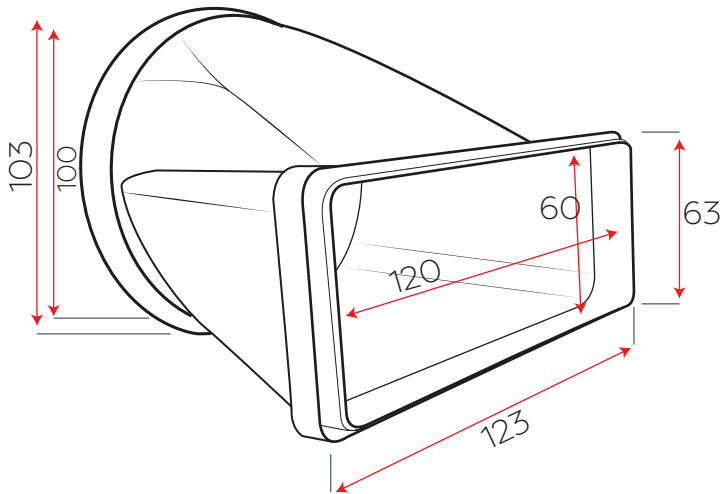
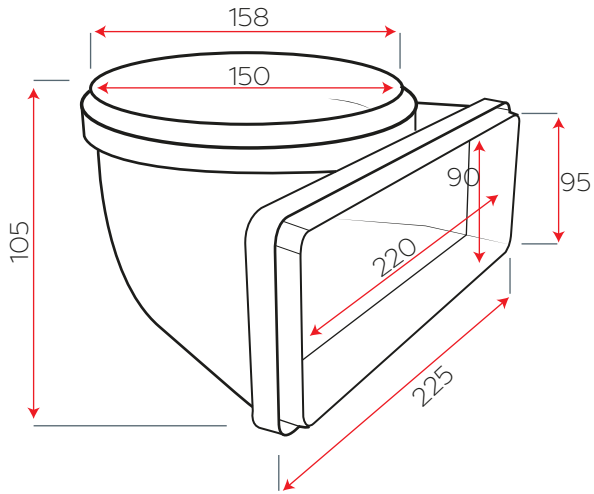
Speed 3
641m³/hr

Speed 4
1033m³/hr

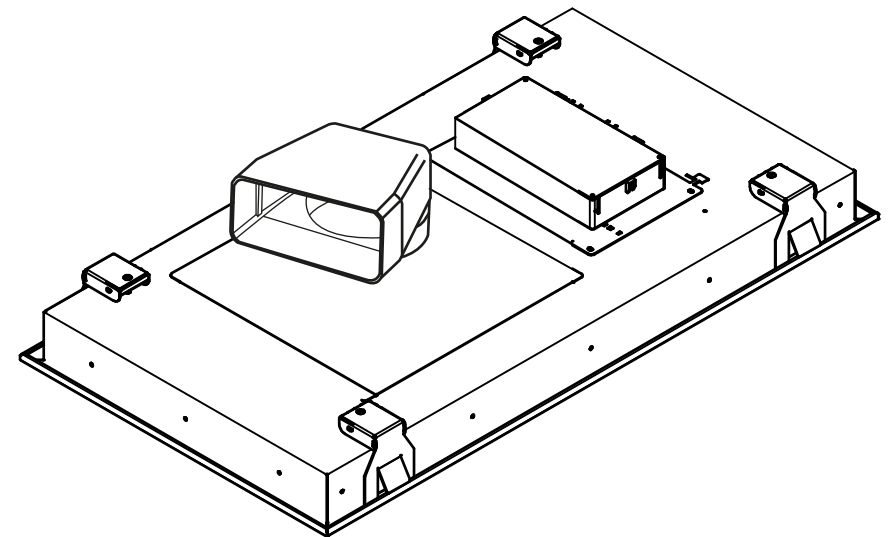
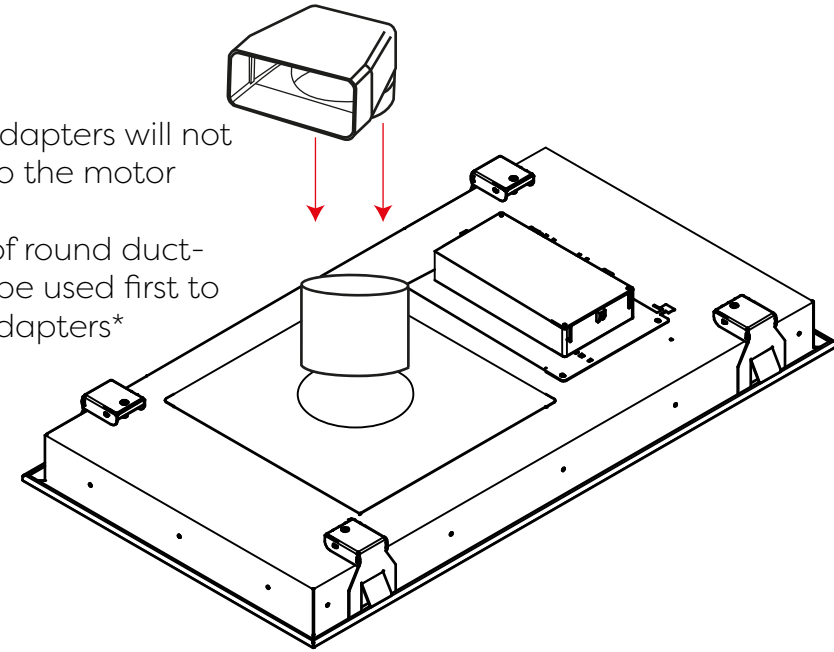


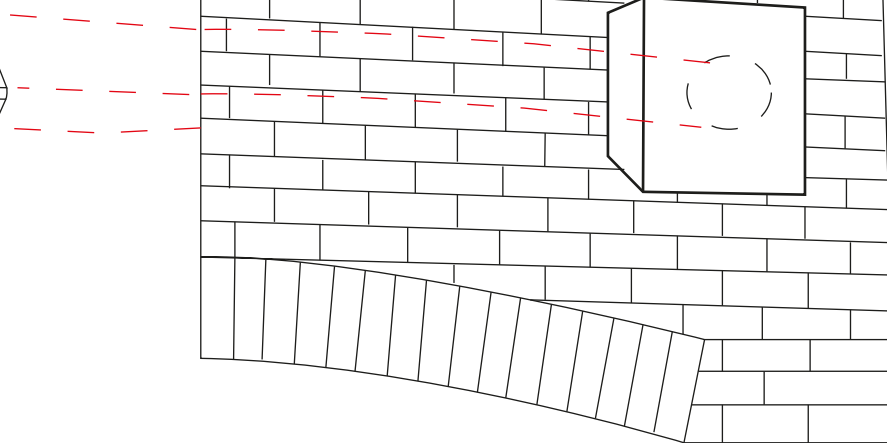
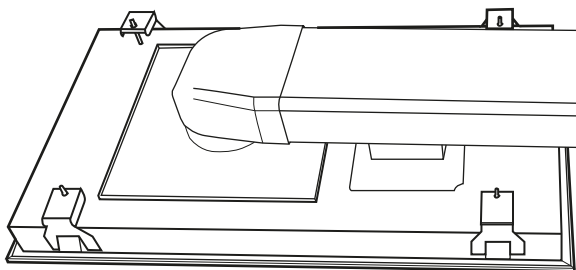
LUXAIR™
EXTRACTION WITH ATTRACTION

6" - 220 x 90 Ducting



Please note adapters will not fit directly on to the motor exhaust. A small piece of round ducting pipe must be used first to connect any adapters





Wall Mounted External Motor

Pitched Roof External Motor

Flat Roof External Motor

