

## Charcoal Filters

N/A

## Warranty

7 Years (Parts & Labour)

## Lighting

4x LED Spot 1.2w 4000° Kelvin

## Fuse Type

3 amp

## EEl Rating

A

## Motor

1200m<sup>3</sup>/hr

## Duct Size (6m Max Length)

150mm Minimum Round or Rectangular Equivalent

## Remote Control

Yes

## Metal Grease Filters

LA-60-Anzi-SM x1 425x203

## Switch Type

N/A

\*You must measure your mesh grill size. Older models will have different sizes to current models\*

## Box Dimensions (CM) & Weight

LA-60-ANZI-EXT 76x60x38 15Kg  
External Motor 20Kg

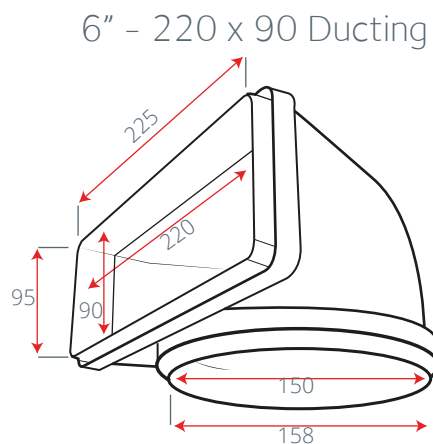
**Extraction Rate  
(Unrestricted)**

**Speed 1**  
371m<sup>3</sup>/hr

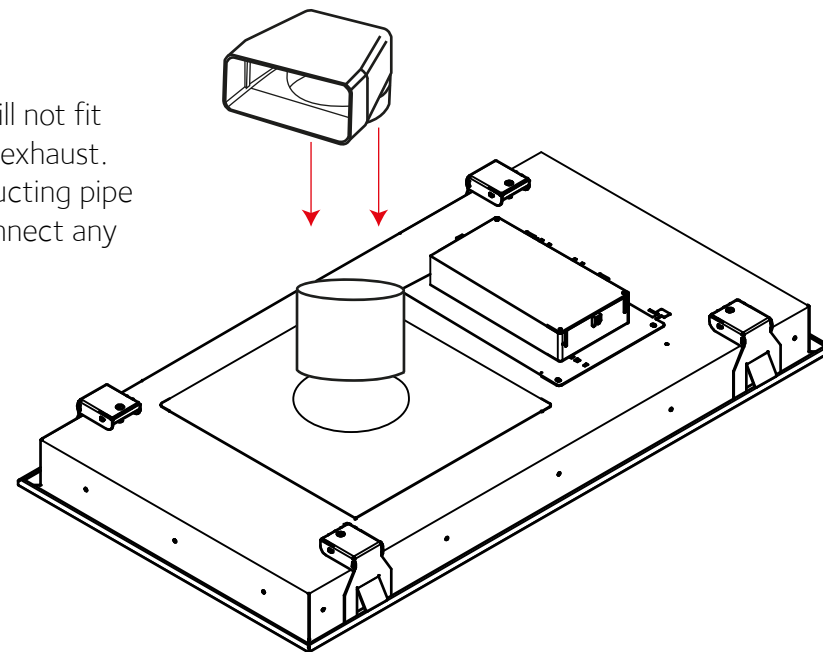
**Speed 2**  
588m<sup>3</sup>/hr

**Speed 3**  
641m<sup>3</sup>/hr

**Speed 4**  
1033m<sup>3</sup>/hr



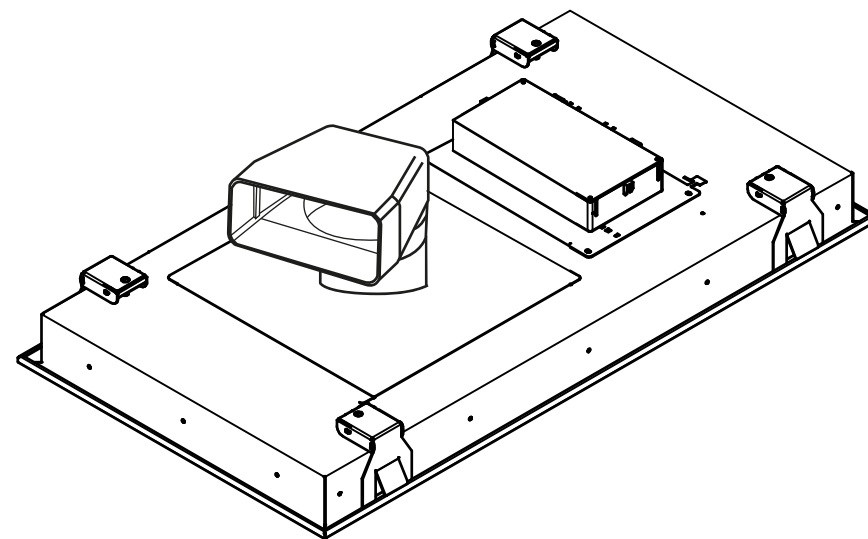
\*Please note adapters will not fit directly on to the motor exhaust. A small piece of round ducting pipe must be used first to connect any adapters\*

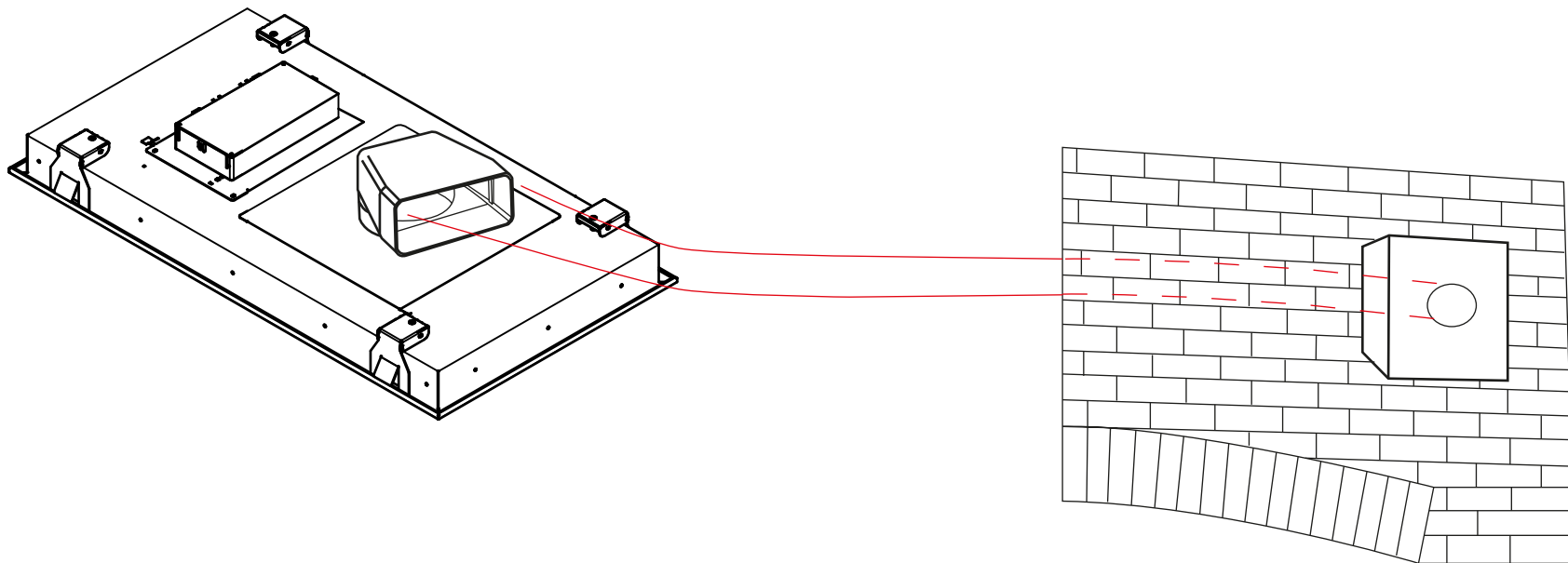


Ducting - Our external motor is designed with a round ducting system vent. Adapters will not fit directly on to the motor exhaust.

Our rectangular ducting is 220mm x 90mm

Please remember this hood must be installed on a minimum 6" ducting. If you are using rectangular ducting, this must be a minimum of 220mm x 90mm





Wall Mounted External Motor

Pitched Roof External Motor

Flat Roof External Motor

