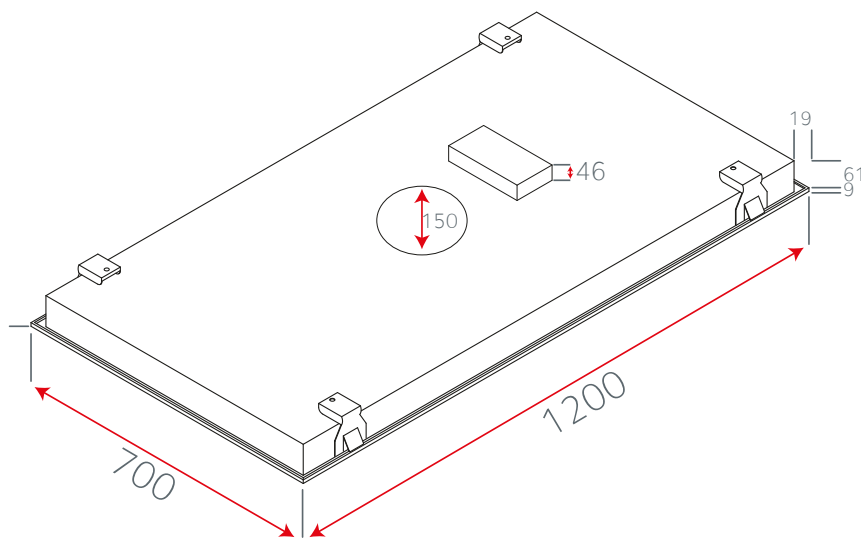




LUXAIRTM
EXTRACTION WITH ATTRACTION

LA-120x70-Anzi External Motor



Charcoal Filters

N/A

Warranty

7 Years (Parts & Labour)

Lighting

8x LED Spot 1.2w 4000° Kelvin

Fuse Type

3 amp

EEl Rating

A

Motor

1200m³/hr

Duct Size (6m Max Length)

150mm Minimum Round or Rectangular Equivalent

Remote Control

Yes

Metal Grease Filters

LA-120x70-Anzi x4 350x200

Switch Type

N/A

You must measure your mesh grill size. Older models will have different sizes to current models

Box Dimensions (CM) & Weight

LA-120x70-ANZI 132x85x41 25Kg
External Motor 20Kg

**Extraction Rate
(Unrestricted)**

Speed 1

650m³/hr

Speed 2

800m³/hr

Speed 3

1100m³/hr

Speed 4

1200m³/hr

Noise Levels DB/A

49 DB

56 DB

64DB

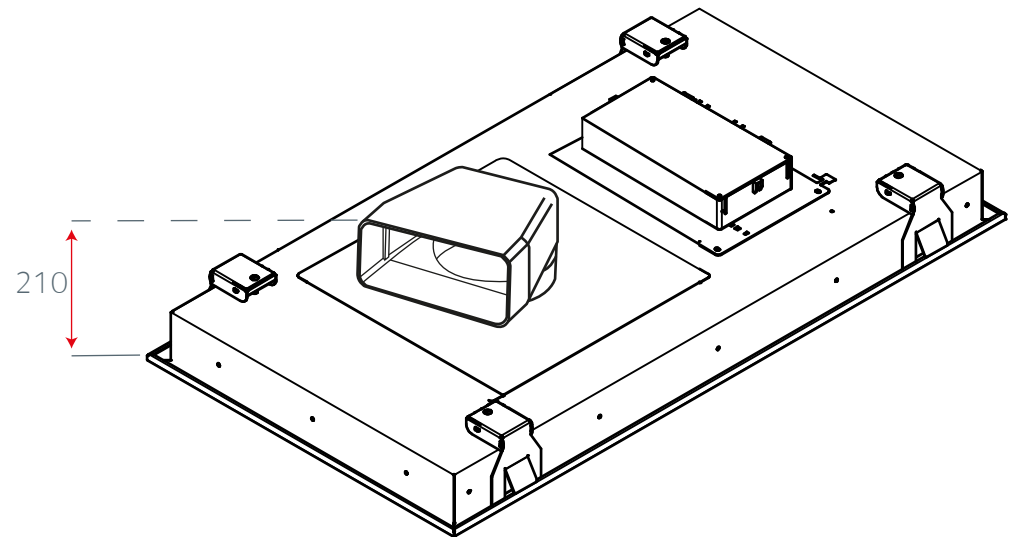
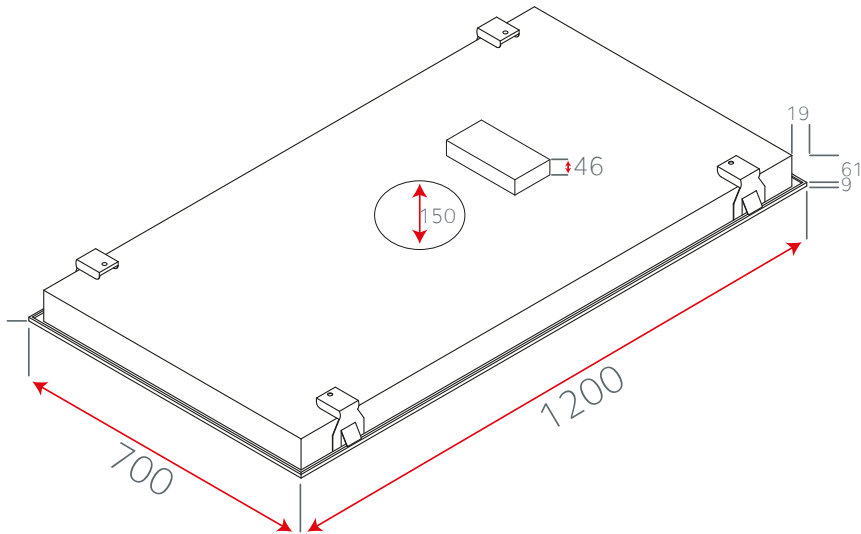
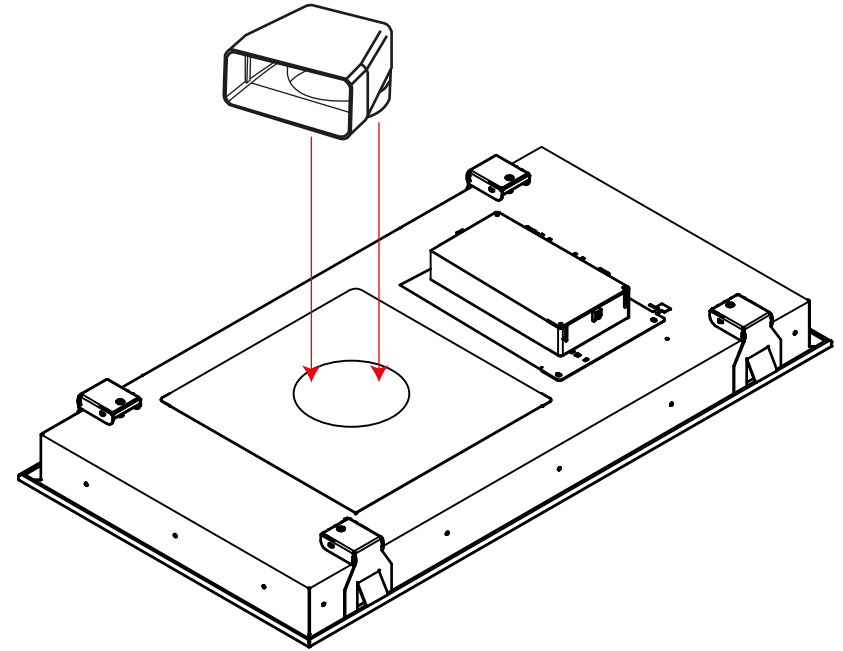
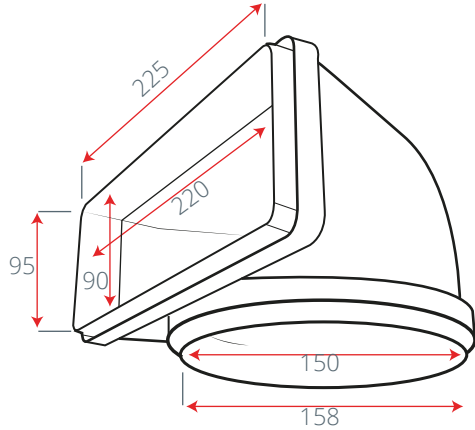
70DB

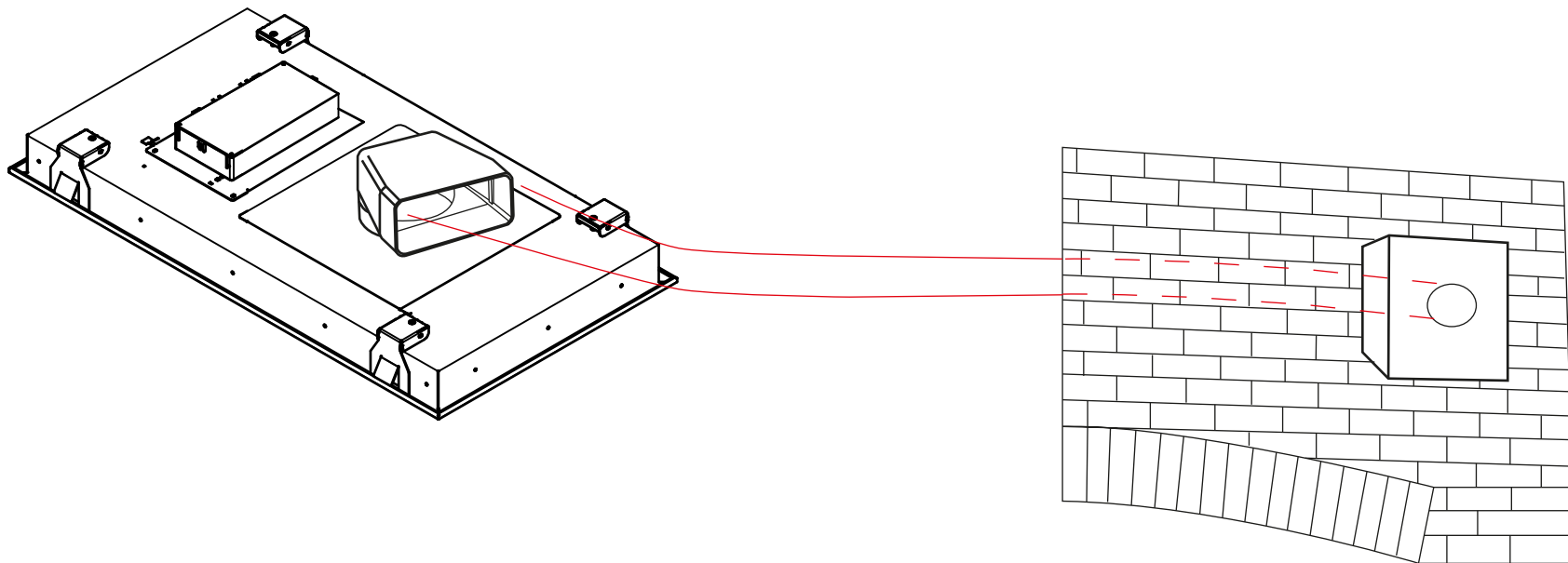


LUXAIR™
EXTRACTION WITH ATTRACTION

LA-120x70-Anzi External Motor

6" - 220 x 90 Ducting





Wall Mounted External Motor

Pitched Roof External Motor

Flat Roof External Motor

