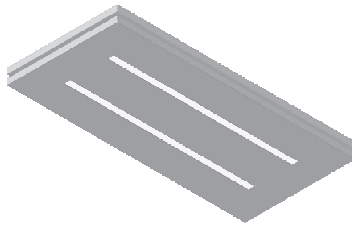


Instruction manual



LA-350/650/950
Small Ceiling Hood

INSTRUCTIONS FOR USE and PRECAUTIONS



Before the first use pay attention to what has been written in the attached manual.

- This appliance should not be operated by minors, children under the age of eight years old or people with learning difficulties, Children above eight years old must be supervised and given clear instruction as to the operation of this appliance. Children shall not play with the appliance.

Cleaning and maintenance should only be carried out by a competent person under the strict supervision of an adult. Never use abrasive cleaning materials on the appliance.

- Before any cleaning or maintenance operation, disconnect the appliance from the main supply, by means of the main switch or the bipolar switch.
- If other gas equipment or equipment which consumes oxygen from the environment is used, ventilation must be sufficient. For safe ventilation, maximum depression in the room should not exceed 4 Pa (0,04 mbar) and there must be a hole on the outside facing wall (suitably positioned and dimensioned). If in doubt, national and international standards precisely indicate the rules for the state of art installation of gas systems and for environment air change, to avoid the possibility of incomplete combustions with the risk of poisonous fumes being emitted.
- Keep the grease filters clean, taking into account the recommended cleaning suggestions.
- Do not use the appliance to suction gas, fumes, vapours or other substances different from the normal fumes from the inside environment.
- The appliance is not suitable to aspirate liquids.
- Do not direct jets of water toward the appliance.


GENERAL

In the SUCTION use extracts air, fumes and vapours from the inside environment and then expels them outside. It is not necessary to use carbon filters for purifying.

BEFORE MOUNTING

The instruction manual apply to several versions of the appliance. Accordingly you may find descriptions of individual features that do not apply to your specific appliance.


Arrange for a socket outlet or standard connection to the electric mains; it is necessary to make a hole towards the outside (i.e in the open air) for the scavenging of the fumes.

 It is absolutely forbidden for the user to connect the air discharge of the appliance, when used a suction use, to boiler chimneys, gas, fume or vapour scavenging chimneys or any other duct, even only ventilation ducts, which have been used or will be used for other devices. Moreover it is not permitted to connect the scavenging pipe for fumes in other adjacent rooms or wellholes, or pipes for fire-fighting devices. In any case it is necessary to respect all norms concerning scavenging of the air. Any user who does not adhere to these instructions is risking his own life and the lives of others. In this case, the manufacturer declines any responsibility.

It is necessary for qualified personnel to make a hole for ventilation on the outside wall.

MOUNTING INSTRUCTIONS

Mount the appliance as shown in the pictures.

 The appliance is equipped with standard fixing material. The person who is mounting the hood should make sure that the fixing elements are right and suitable for the walls and ceilings he finds. The manufacturer declines any responsibility for damages caused by incorrect mounting.

The packaging material is dangerous for children. Never allow the children to play with the packaging material.

During the installation of the appliance, always wear protective handgloves to prevent injuries.

DISMANTLING AND REPOSITIONING OF THE FILTERS

- Switch the light off and wait until the bulbs are completely cooled down.
- Follow the steps as shown in the pictures.
- To dismantle the metal filters, press the handles, overturn the filters and remove them.
- To remount the metal filters, put the rear part of the metal filter into its seat, press the handle, insert the front part of the filter and release the handles.

GENERAL WARNING

The pipe must be heat, flame and corrosionproof. The manufacturer strongly advises against the use of reducers or pipes with different diameter to the appliance outlet pipe, and pipes made of flexible aluminium because performance is diminished and noise level increased.

The end part of the pipe, on the outside of the hole on the wall, must be of such a shape to avoid rain, gusts of wind or other foreign bodies getting into the pipe. Should there be any doubt, contact anyone specialising in the installation of gas or ventilation system.

ELECTRICAL CONNECTION

WARNING

The electrical connection can only be carried out by qualified professional personnel, using standard material and state of the art installation methods. The manufacturer declines any responsibility for installations carried out by unskilled persons and for installations which are not in conformity with the standard norms concerning electrical safety (both concerning methods and materials).

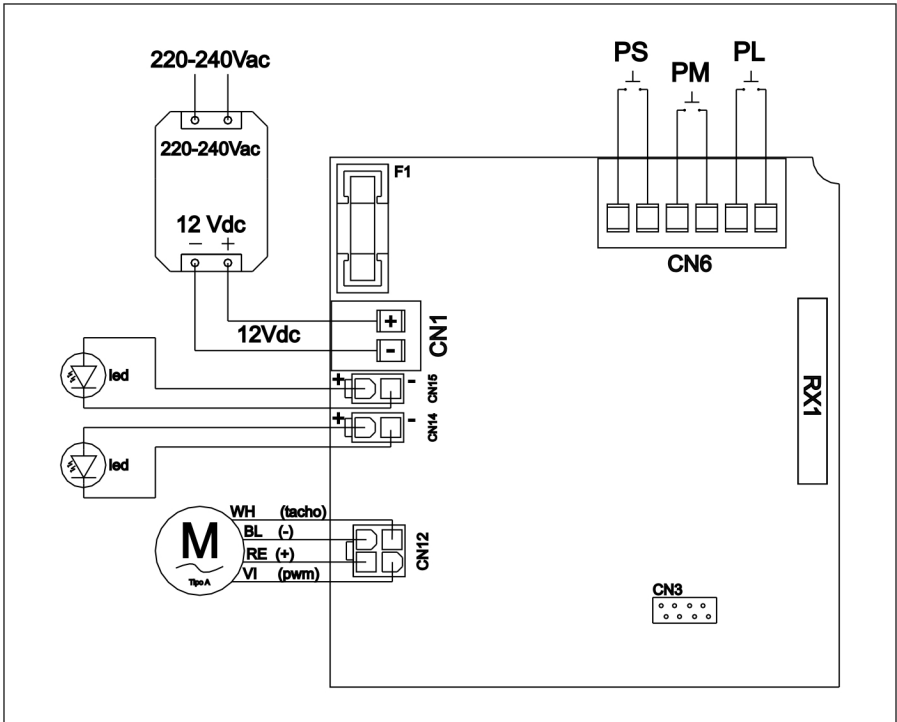
ELECTRICAL TECHNICAL DATA

The electrical technical data are visible inside the appliance after the removal of the filters.

CONNECTION TO THE POWER SUPPLY

The appliance must be used only with the transformer unit supplied with the appliance, and must be connected only to a very safety low tension, corresponding to the marking on the appliance.

Wiring diagramm:



- Connect the wires of the secondary of the transformer to the CN1 connector strictly following the polarity shown (+/-).
- If wished by the customer, connect one or more push button PM, PL,PS (optional sensor) to the connector CN6.

For the sizes of the cable section of the connection-cables between the transformer and the appliance, please follow the instruction in the following table:

Length of cables between the transformer unit and the appliance	Section cables mm ²
≤ 8 m	1
≤ 15 m	1,5
≤ 25 m	2,5


BEFORE ELECTRICAL INSTALLATION

Before connection you must:

- The transformer unit (220-240Vac/12Vdc) can be installed only in the areas where it is allowed, and which are shown in the mounting pictures. For the appliance you can select any mounting area.

Please follow current regulations to identify the installation areas.

- check that the electrical data indicated are in conformity with the main voltage and frequency values of the building where the hood is to be installed;
- check that the building is fitted with electric safety systems to protect against short circuits and electric shock systems, according to the laws in force;
- install an electric socket (or connection point) with a bipolar switch, which has contacts with an opening of at least 3 mms;
- if it is wished to install the transformer unit with a plug, it is necessary that you have access to the plug;
- always turn off the main voltage supply by means of the bipolar switch before connecting and switch on again only when connections have been completed, tested and are safe.

 If the light of the lamps is weak when the appliance is in stand by, then invert the phase of the plug/socket.

PRECAUTIONS TO BE TAKEN IF REPAIRS ARE TO BE CARRIED OUT

Repairs are to be carried out only by qualified personnel, using standard methods, instruments and materials. Any repairs carried out by others could prove to be dangerous and could be a fire risk.

FUNCTION AND USE

The appliance can be switched and controlled by remote control (delivered with the appliance), or by one or more external push buttons installed by the customer: external push button for motor (PM), external push button for lights (PL), external push button for sensor (PS).


Self-switch-off:


The appliance is equipped with a function which switches the motor off if no function is selected within the 2 hours from the last variation of the motor speeds.

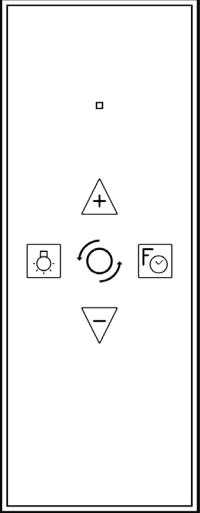





Automatic Function:

If the appliance is equipped with a sensor and the sensor is activated (see external Push

button for sensor), in case the humidity or temperature increase, the motor is started in automatic way at the intermediate speed for 20 minutes.

 The led bars have got a protective layer resistant to liquid infiltration. Small surface imperfections belong to the process and are to be considered normal.

 The remote control is not waterproof, so it must be used in appropriate way.

		<p>Short pressing - it switches on the lights/It switches off the lights.</p> <p>Long pressing it changes the intensity of the light.</p>
		<p>If you press this push button when the motor is off, the appliance is started at the intermediate speed.</p> <p>If you press this push button when the motor is running, you increase the speed until the highest speed is reached. When the motor is running at the highest speed after 10 minutes the motor reduces the speeds in automatic way.</p>
		<p>If you press this push button it reduces the speeds until the lowest speed is reached.</p>
		<p>If you press this push button, it stops the motor.</p>
		<p>If you press this push button with the motor running at any speed different from the highest, the timer is activated and the motor is stopped in automatic way after 10 minutes.</p> <p>If you press this push button when the timer is running, it stops the timer function already set.</p>

EXTERNAL PUSH BUTTON (to be installed directly by the customer).

External Push button for lights (PL):

- Short pressing - it switches on/off the lights.
- Long pressing - it changes the intensity of the light.


External Push buttons of the motor (PM):

- The short pressing starts the motor at the intermediate speed, if you press this with running motor the motor is stopped.
- Long pressing with running motor changes the speeds.
- When the highest speed is set, after 10 minutes the moto reduces the speeds in automatic way.

External Push button for sensor (PS).

Activation/deactivation of the automatic function:

- Make sure that the motor is off before the push button is pressed.
- Press the push button: if 4 acoustic signal are issued the automatic function is activated.
- Press the push button: if an acoustic continuative signal is issued, the automatic function is deactivated.

 If the push button is pressed with running motor, it switches off the motor and the sensor is for 20 minutes without function.

MAINTENANCE



METAL FILTERS

The metal filters are used to retain the particles in suspension.

For washing by hand, use hot water and soap; this can be done by hand brushing vigorously several times and then rinsing under the tap.

After washing, the metal filters should be dried and re-fitted correctly.


It is possible that after washing the filter will have slight change in the colour.

  It is advised to wash the metal filters after circa 100 hours of use of the appliance.

If the metal filters are very dirty, the motor can only take in a small quantity of air, and performance is reduced.

CLEANING

To preserve the appliance in good condition, clean this periodically following the advice given as follows.

 Make sure that power has been completely turned off.

The detergent solution recommended is a combination of WATER and NEUTRAL LIQUID SOAP. It is of vital importance that the liquid soap should not contain any grains which could scratch the surface.

The solution should be applied first onto a soft cloth which is then rubbed over the shell. It is important to follow the pattern of the satin finish with the cloth.

It is absolutely forbidden to pour liquids directly onto the appliance.

The cloth used should not have any buttons, zips, fasteners or anything else which could scratch the surface.

The use harsh abrasive or granular products, petrol, spirits or similar products which could damage the surface of the material, is severely forbidden.

The manufacturer will not be responsible for any damages either functional or to the appearance of the hood, caused by cleaning operations carried out using unsuitable products or unsuitable methods.

IF YOU ENCOUNTER A PROBLEM

Disconnect the appliance from the mains electricity supply and keep it disconnected for ca 1 minute, then reconnect.

If the behaviour of the hood seems strange, read the procedure for resetting carbon and grease filters concerning the kind of control in your hood. (see FUNCTION AND USE).

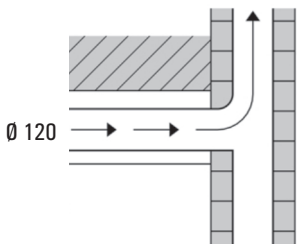
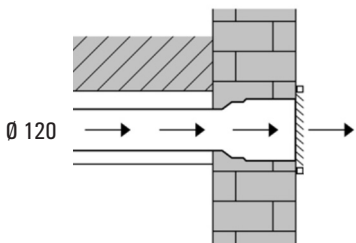
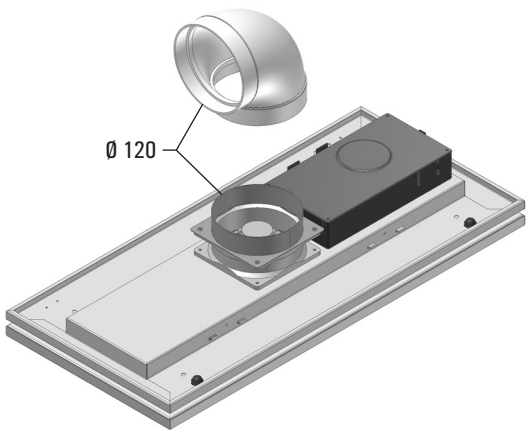
If the lights of the lamps is weak when the hood is in stand-by, then invert the plug.

EUROPEAN DIRECTIVE MARK

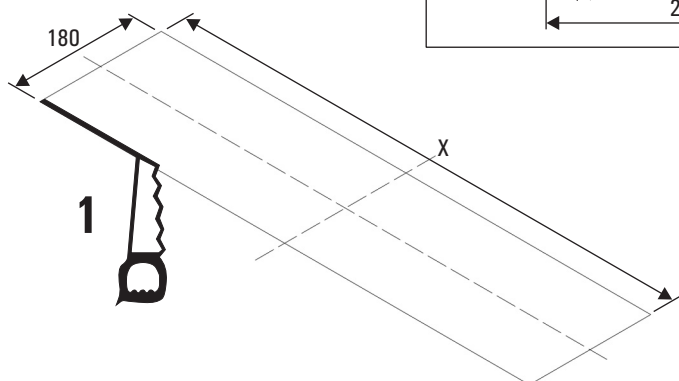
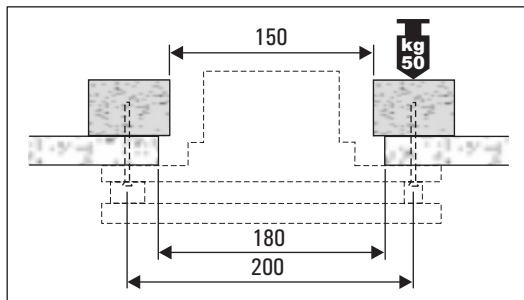
This appliance is marked according to the European directive 2002/96/EC on Waste Electrical and Electronic Equipment (WEEE). This norm is the frame of a European-wide validity of return and recycling of Waste Electrical and Electronic Equipment.

The symbol on the product or on its packaging indicates that this product may not be treated as household waste. Instead it shall be handed over to the applicable collection point for the recycling of electrical and electronic equipment. By ensuring this product is disposed of correctly, you will help prevent potential negative consequences for the environment and human health, which could otherwise be caused by inappropriate waste handling of this product, please contact your local city office, your household waste disposal service or the shop where you purchased the product.





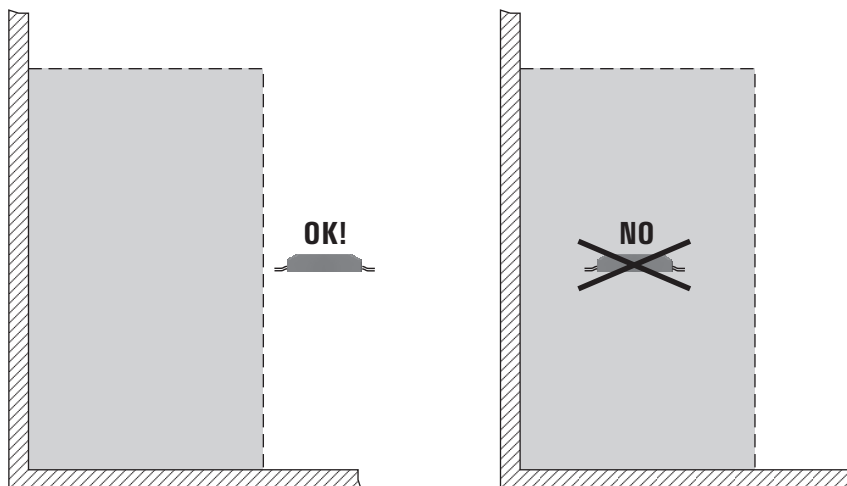
M 1



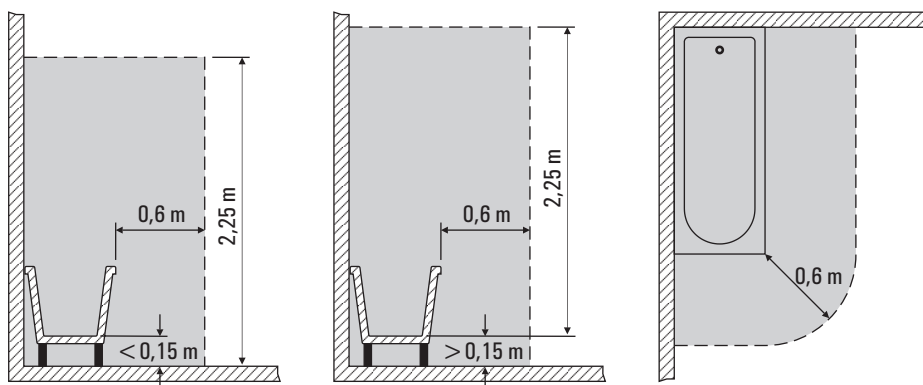
Model	X
SHOWAIR 300	335
SHOWAIR 600	550
SHOWAIR 900	650

M 2

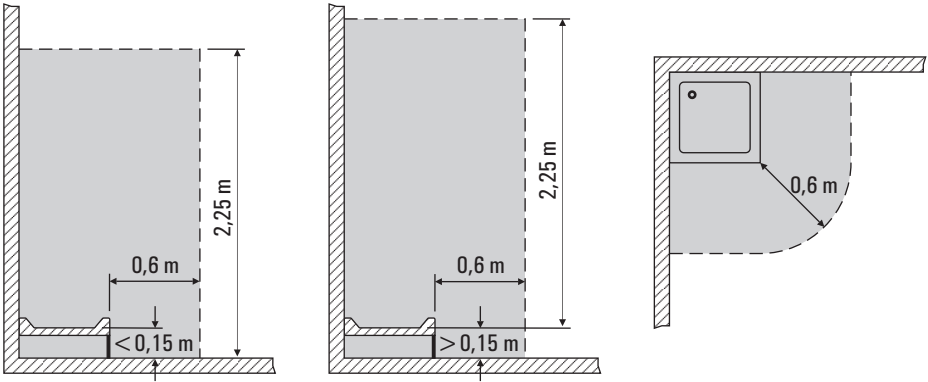
220-240 Vac **TRAFO** 12Vdc



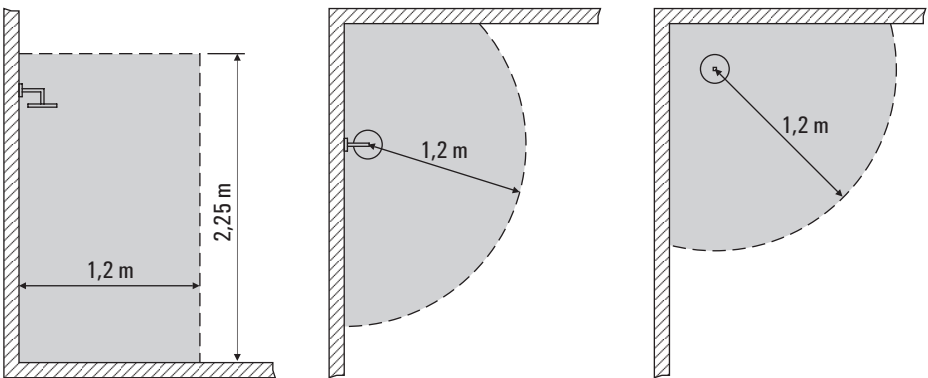
A

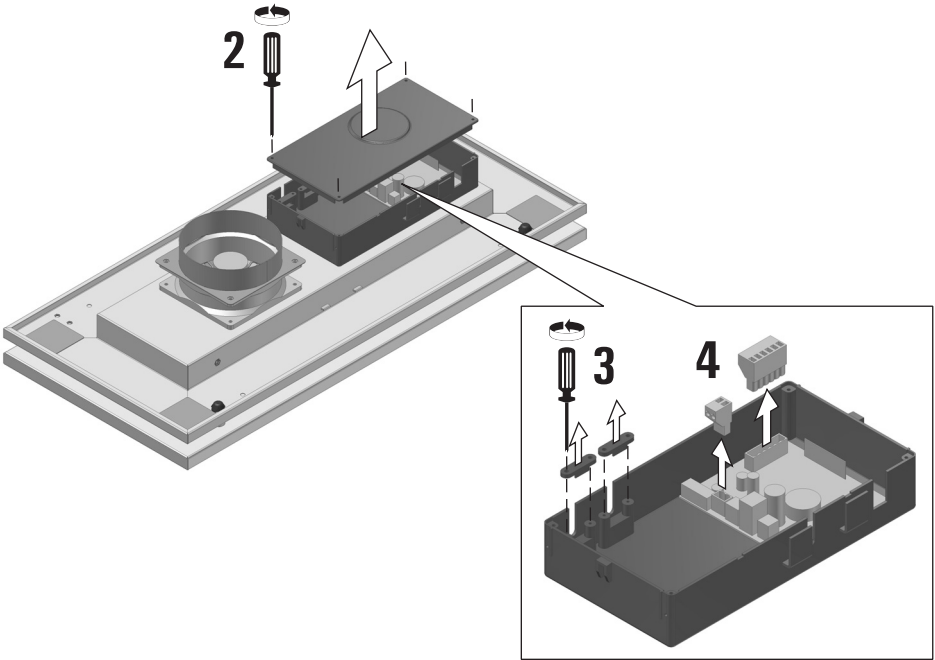


B

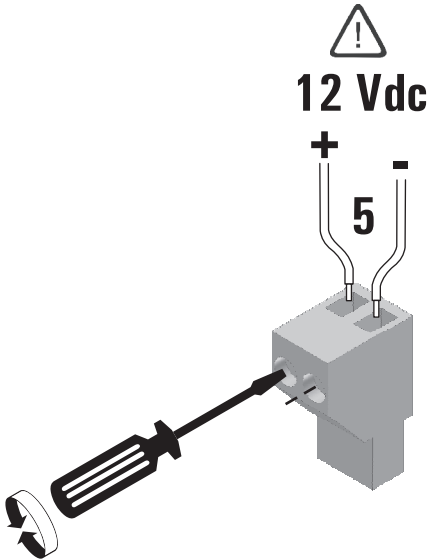


C

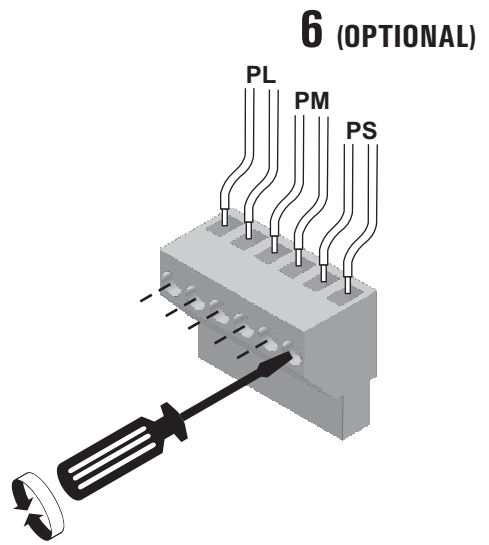


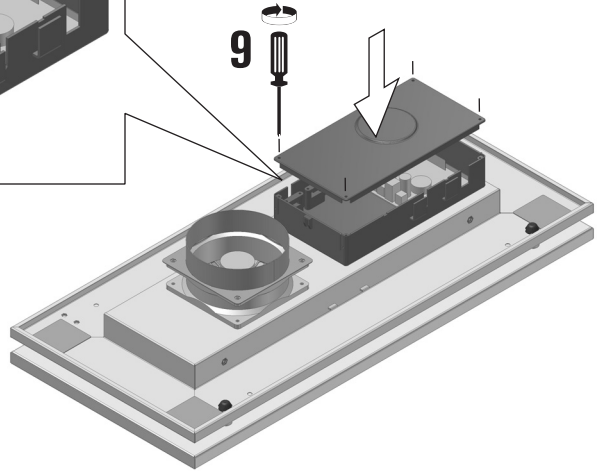
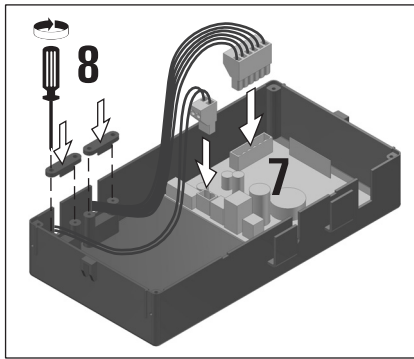


M 4

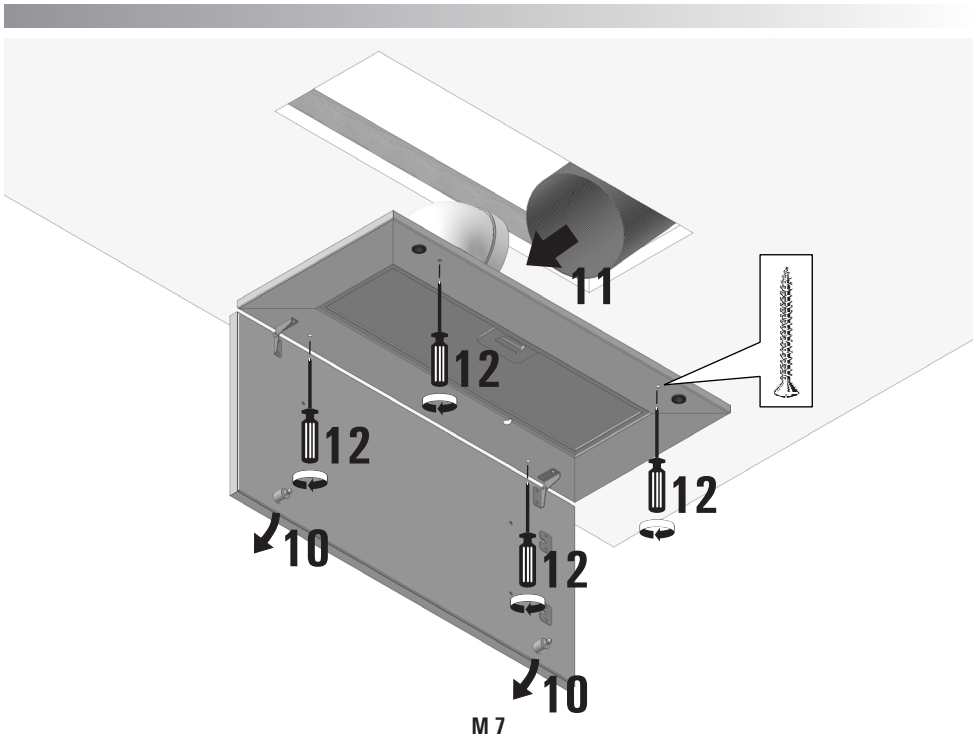


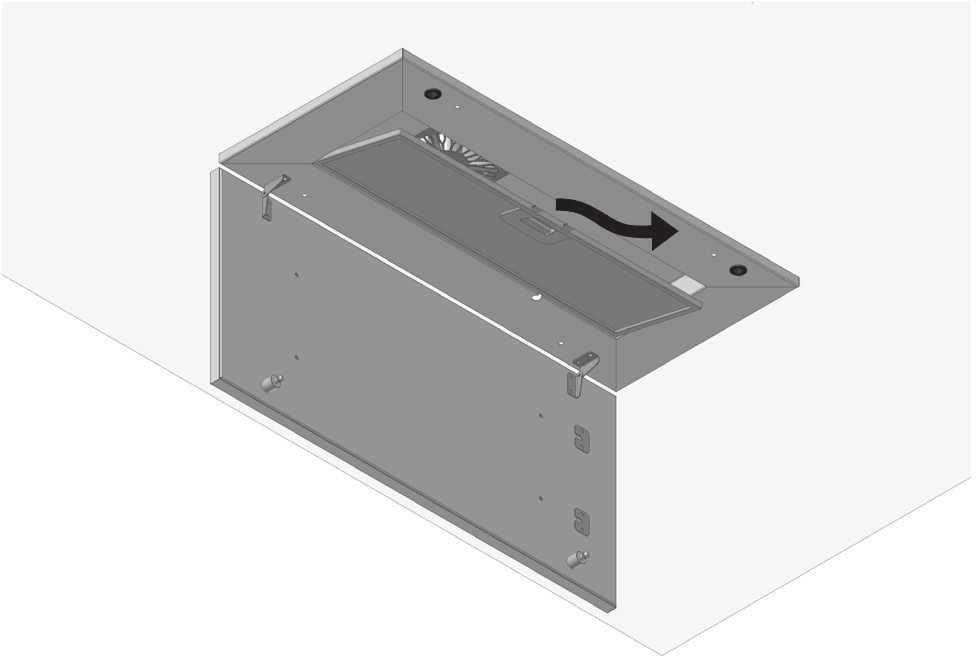
M 5





M 6





M 8



WARNING It is advised to locate the transformer 2.5 mtrs away from the ceiling extractor.

Above is the top side of your showair extractor.

Your new ceiling hood has a transformer that reduces the electrical current from 220v - 12v Remote control operated as standard.

Your ceiling extractor can be wired to a extermal switch unit (not supplied) if you want to override the remote control, please ask a qualified electrician for advise or simply order the switch unit direct for Luxair (see spares section on our website).

Your ceiling extractor is already pre-wired to the transformer, however should you need to replace it in the future please see picture below showing the electrical connections.

Live Feed
to the
Transformer



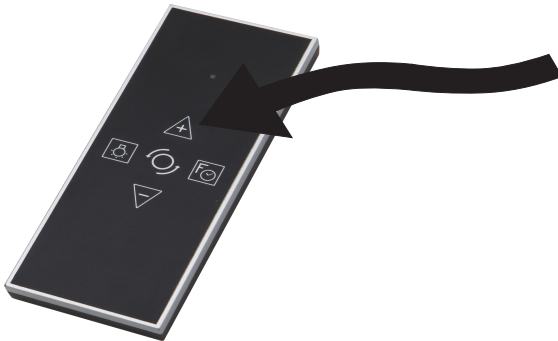
12v to the
Ceiling
Extractor

Setting Your Remote Control!



1. Turn Off The Power Completely to your ceiling extractor
2. Press and hold the + button on your remote continually pointing it at you extractor.
3. whilst keeping your finger on the + button now turn the power back on to your fan, (keep the + pressed all the time) you will hear a BEEP to confirm the unit has accepted the code.
4. Your fan should now be working with your new remote.

Repeat the above steps if you did not hear the beep!



Press and hold until your hear the BEEP!



Warranty Activation

www.luxairbathroomfans.com

Two Year Parts and Labour Warranty - Your product must be registered with Luxair within 21 days of installation either , or by mail. A 12 month parts and labour warranty is standard without product registration but proof of purchase may be required. Please note the 2 years warranty does not apply to end-of-line stock as these products are only sold with a 1 years manufacturers warranty.