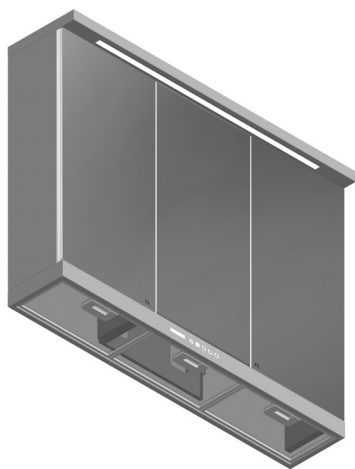


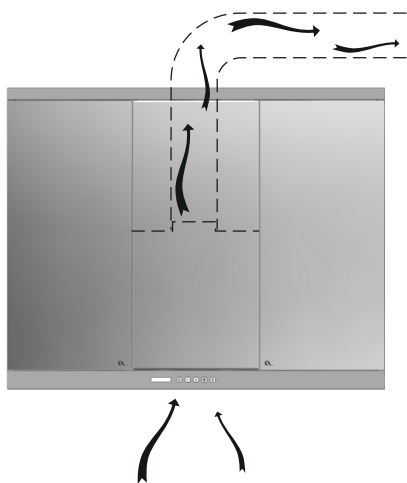
Installation instruction



CABOIR
BATHROOM EXTRACTION

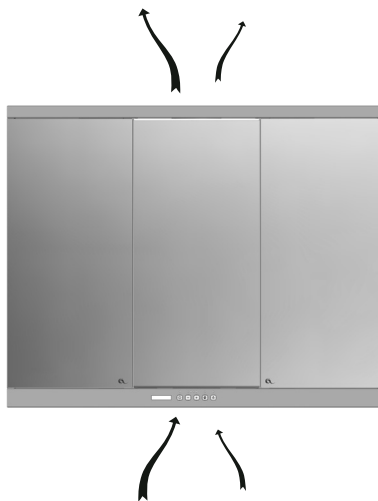
WARNING! This model is equipped with standard fixing material. The person who is mounting should make sure that the fixing elements are right and suitable for the walls and ceilings he finds. The manufacturer declines any responsibility for damages caused by incorrect mounting.

Suction version (fig. M series)

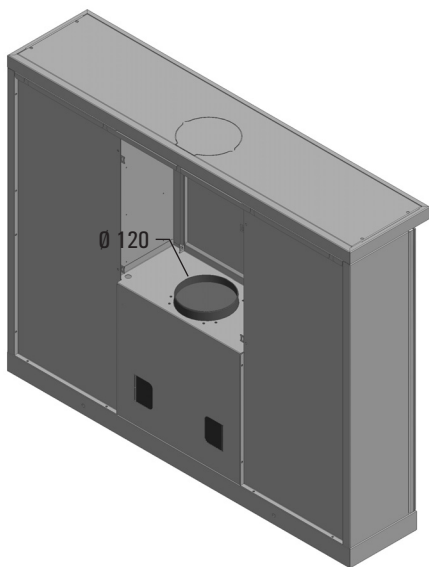


M 1

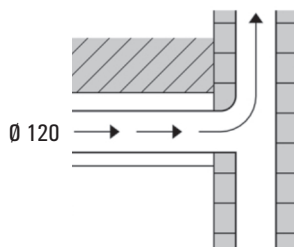
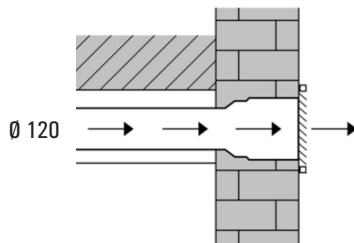
Filtering version (fig. C series)

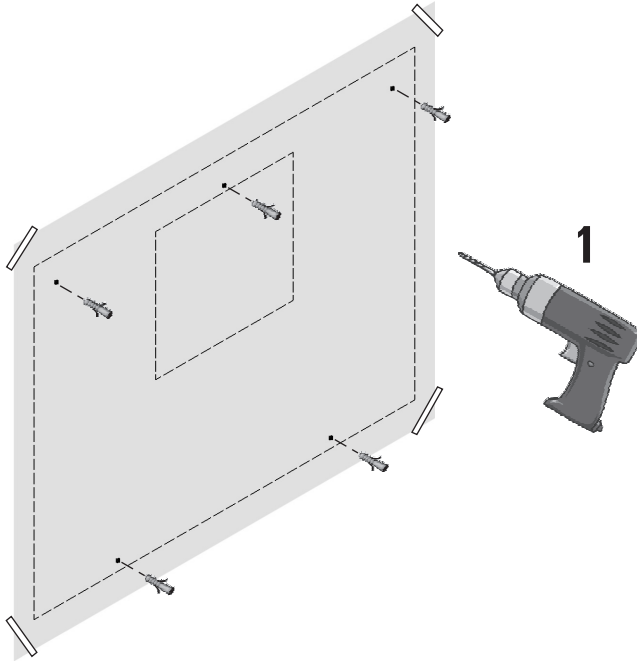


C 1

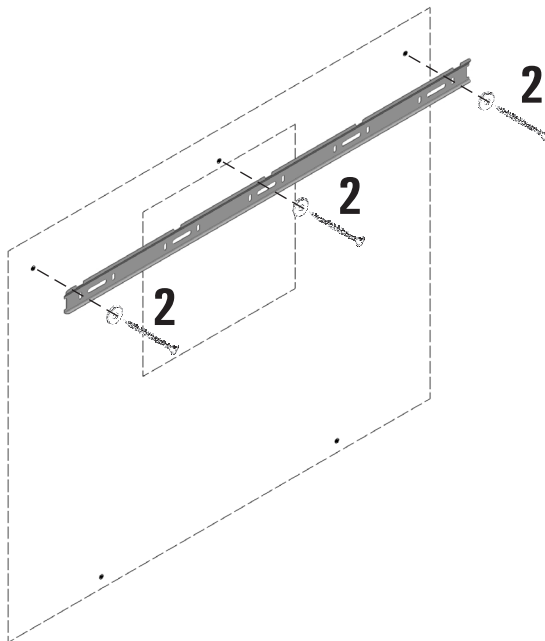


M 2

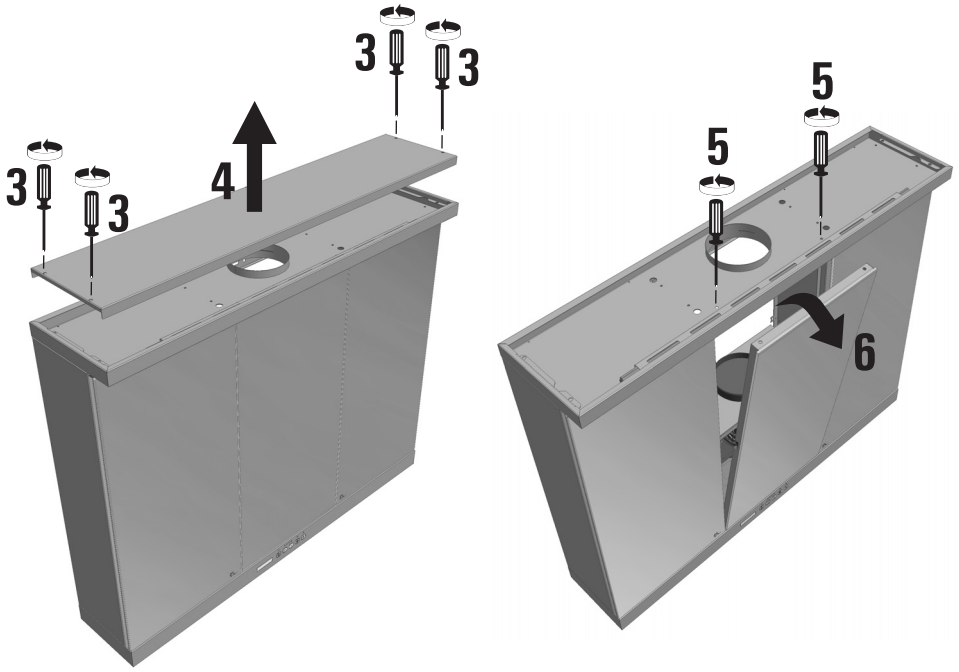




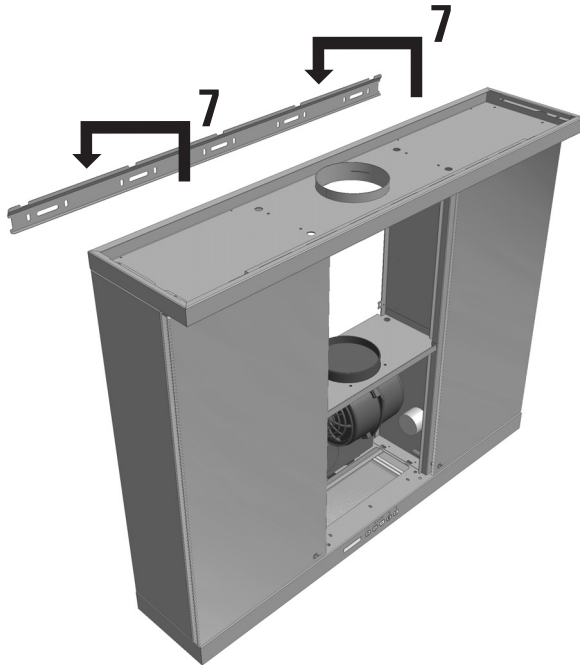
M 3 / C 2



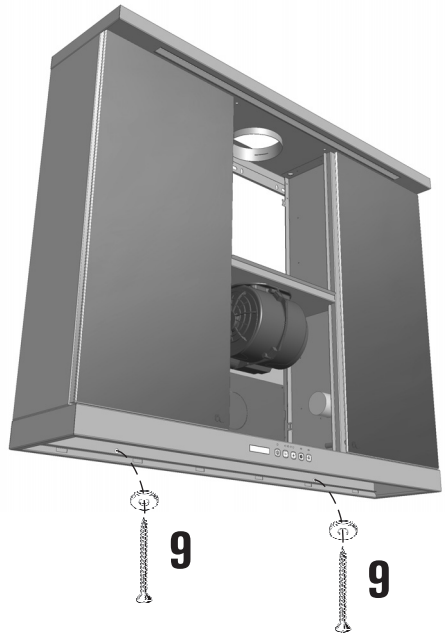
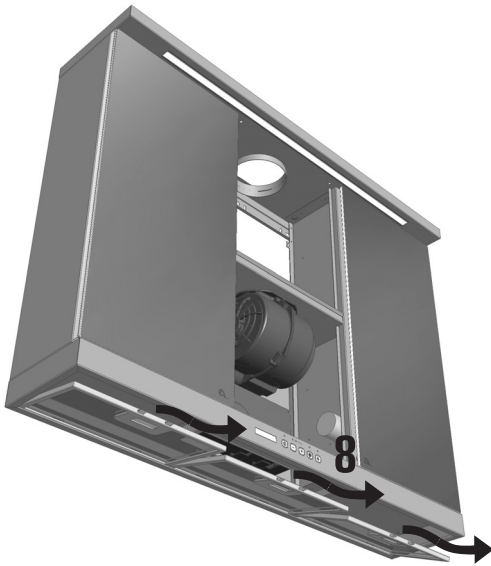
M 4 / C 3



M 5 / C 4



M 6 / C 5

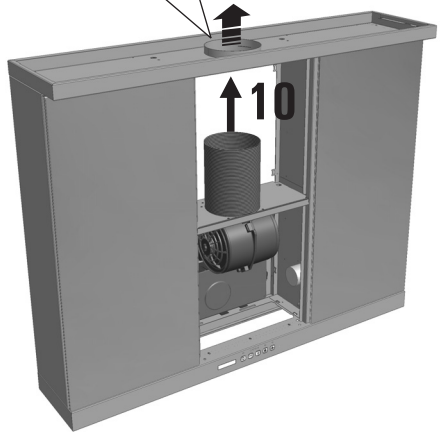
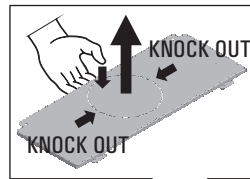


M 7 / C 6

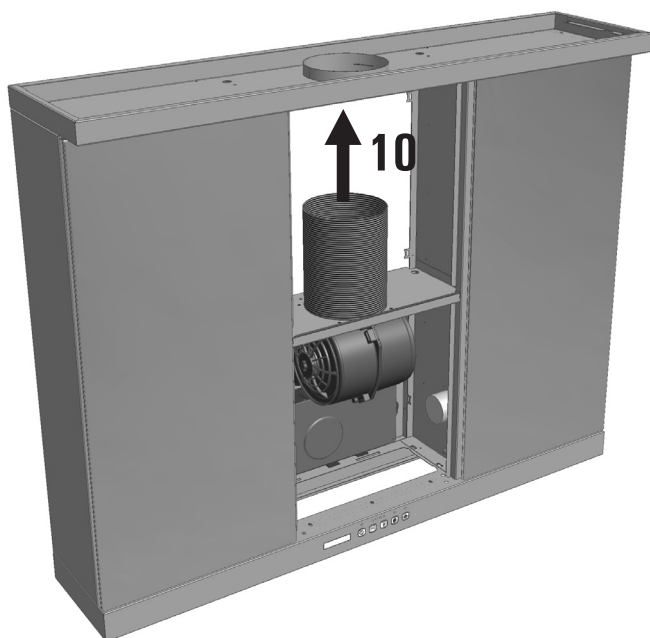
BACK OUTLET



TOP OUTLET



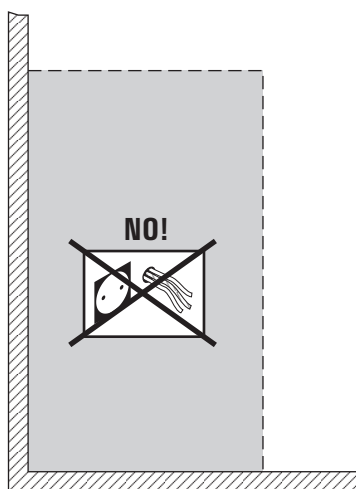
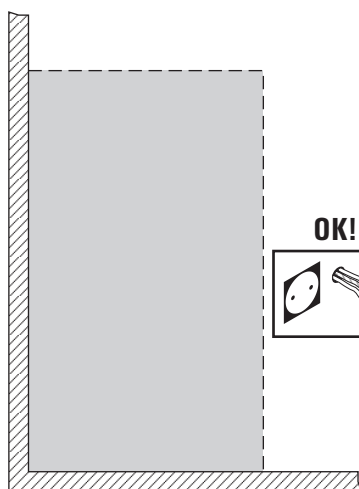
M 8



C7

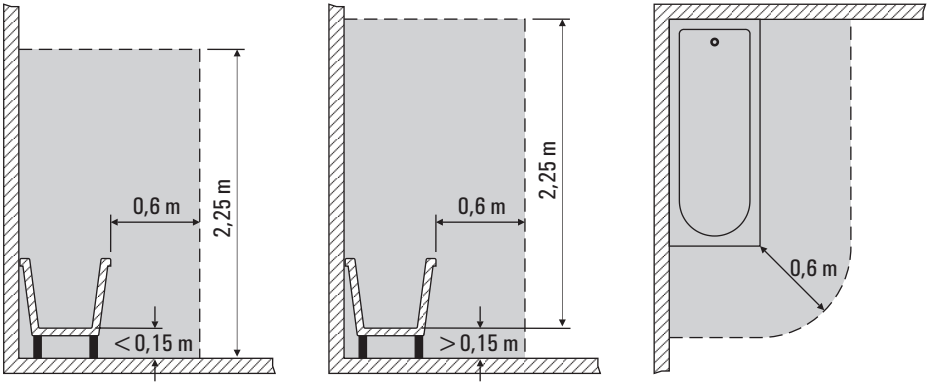


⚡ 220-240Vac

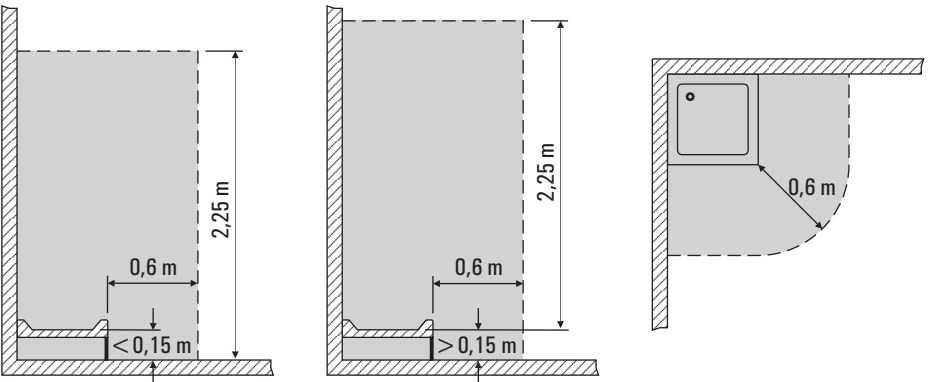


M9 / C8

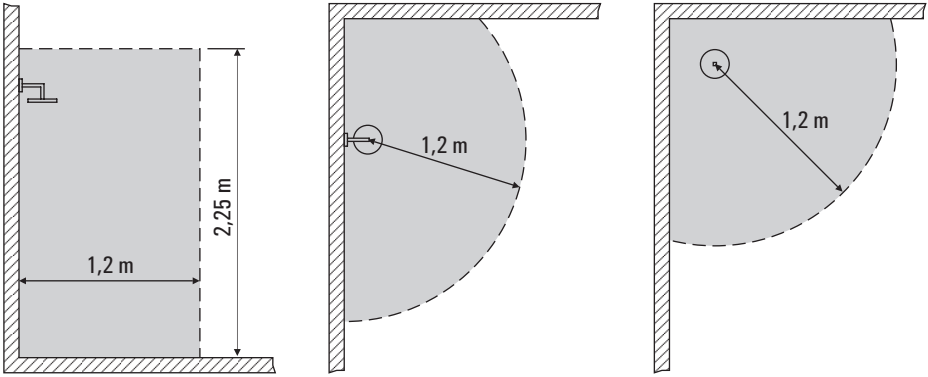
A



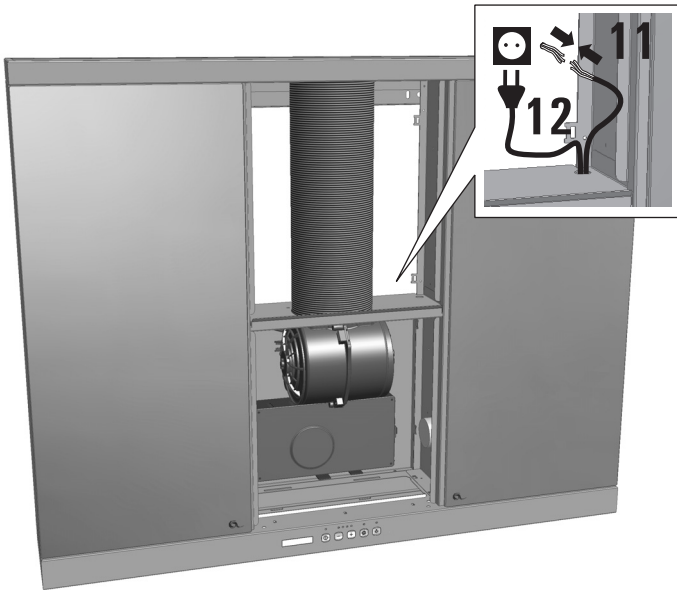
B



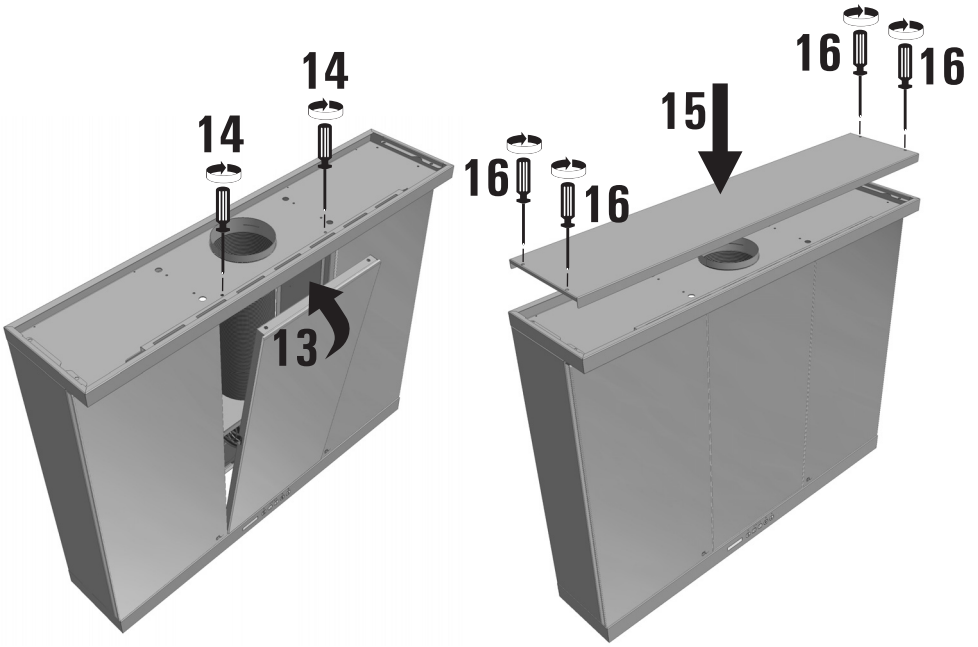
C



M 9 / C 8

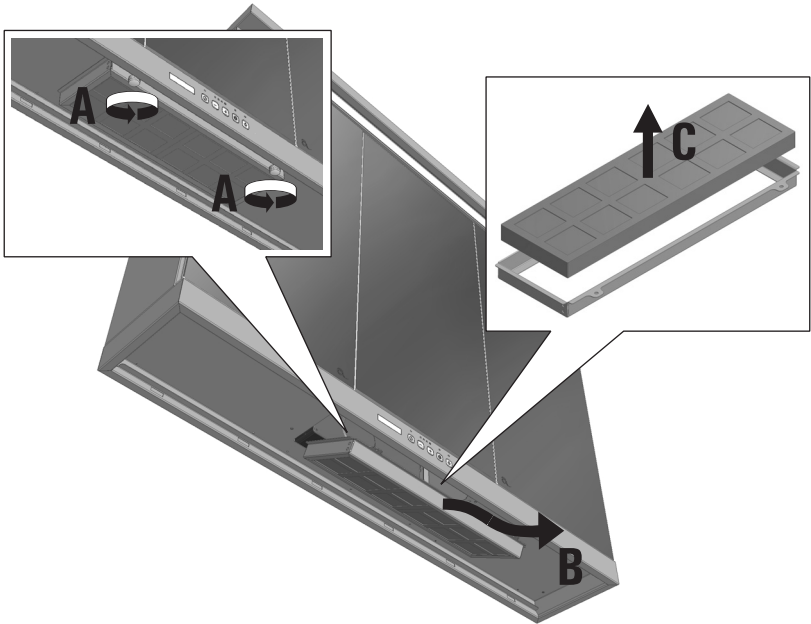


M 10 / C 9

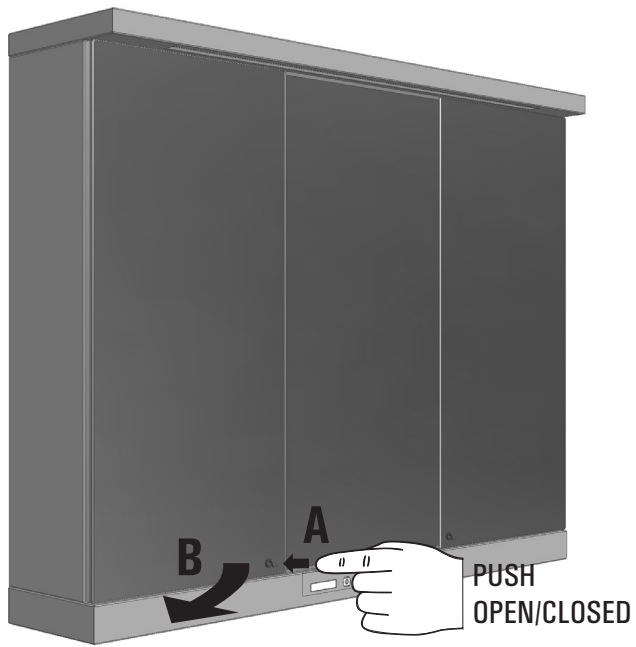


M 11 / C 10

Carbon filter



C 11



PUSH
OPEN/CLOSED

